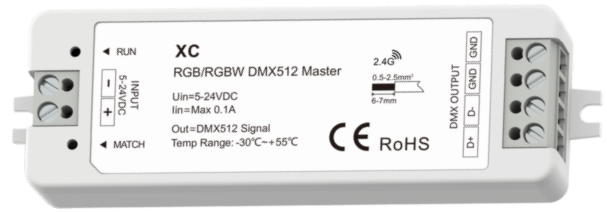


RF-DMX512 RGB/RGBW LED Controller

- Mini-style RF 2.4G multi-pixel RGB or RGBW LED controller with DMX512 signal output.
- Send international standard DMX512/1990 signal to DMX512 decoders or RGB/RGBW LED lamps with DMX decode chip.
- Match with RF 2.4G RGB/RGBW remote control, such as R9.
- 32 kinds dynamic mode, include horse-race, chase, flow, trail or gradual change style.

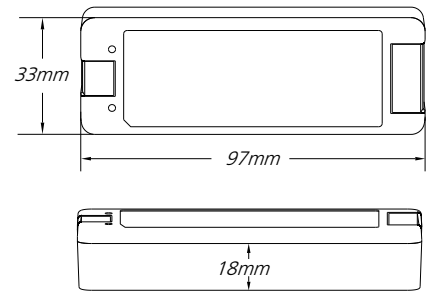


CE RoHS

Technical Parameters

Input and Output		Safety and EMC		Environment	
Input voltage	5-24VDC	EMC standard	EN IEC 55015/EN IEC 61547 ETSI EN 301 489-1/-3	Operation temperature	Ta: -30 °C ~ +55 °C
Power consumption	1W	Safety standard	EN 61347-1/-2	Case temperature (Max.)	Tc: +65 °C
Input signal	RF 2.4GHz	Radio Equipment	ETSI EN 300 440	IP rating	IP20
Output signal	DMX512	Certification	CE RoHS	Package	
Dynamic mode	32	Warranty		Size	L114 x W38 x H26mm
Control dots	Max 170 RGB pixels or 128 RGBW pixels(512 Channels)	Warranty	5 years	Gross weight	0.049kg

Mechanical Structures and Installations



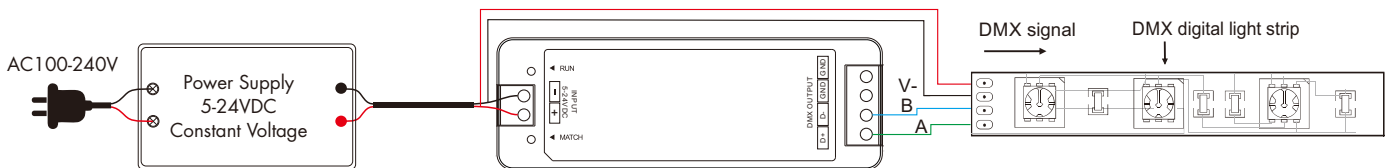
Wiring Diagram

Note: If connect with RGBW LED lamps, please long press match key for 15s, the controller will become RGBW type.
Long press match key for 10s, the controller will return RGB type.

- XC connect with DMX spot light



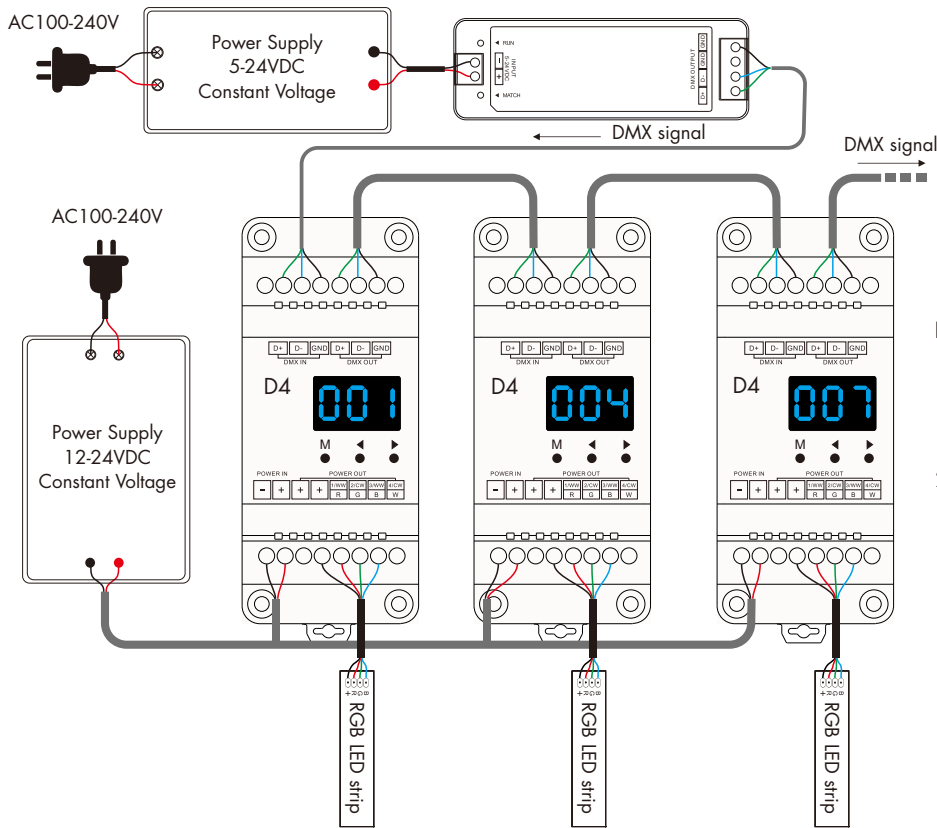
- XC connect with DMX pixel strip



- XC connect with DMX Digital light tube



- XC connect with DMX-PWM three channel decoder



Note:

1. For RGB light, DMX decoder first address set in sequence as 1, 4, 7, 10,...
- For RGBW light, DMX decoder first address set in sequence as 1, 5, 9, 13,...
2. For D4 decoder, CH1/CH2/CH3/CH4 channel corresponding to R/G/B/W channel output.

Match Remote Control

Match: Short press match key, immediately press on/off key of the remote.

Delete: Press and hold match key for 5s to delete all match, The light blinks 5 times means all matched remotes were deleted.

Note (match with R9 remote):

1. The DMX signals default to RGB color order.
If the RGB color is not correct, you can press 3 keys (* + 1 digit + *) continuously to change the RGB color sequence:
1:RGB, *2*:RBG, *3*:GRB, *4*:GBR, *5*:BRG, *6*:BGR.
2. DMX signal outputs 512 channels by default, you can press 5 keys (* + 3 digits + *) continuously to set the number of channels (024-512), for example: *060* to set 60 channels output.

Dynamic Mode List

No.	Name	No.	Name	No.	Name
P01	Red horse race white ground	P12	Blue White chase	P23	Purple float
P02	Green horse race white ground	P13	Green Cyan chase	P24	RGBW float
P03	Blue horse race white ground	P14	RGB chase	P25	Red Yellow float
P04	Yellow horse race blue ground	P15	7 color chase	P26	Green Cyan float
P05	Cyan horse race blue ground	P16	Blue meteor	P27	Blue Purple float
P06	Purple horse race blue ground	P17	Purple meteor	P28	Blue White float
P07	7 color multi horse race	P18	White meteor	P29	6 color float
P08	7 color horse race close + open	P19	7 color meteor	P30	6 color smooth sectionally
P09	7 color multi horse race close + open	P20	Red float	P31	7 color jump sectionally
P10	7 color scan close + open	P21	Green float	P32	7 color strobe sectionally
P11	7 color multi-scan close + open	P22	Blue float		

Malfunctions analysis & Troubleshooting

Malfunctions	Causes	Troubleshooting
No light	1. No power. 2. Wrong connection or insecure.	1. Check the power. 2. Check the connection.
Wrong color	1. DMX decoder start address error. 2. Wrong connection of R/G/B wires.	1. Check the DMX start address. 2. Reconnect R/G/B wires.
No response from the remote	1. The battery has no power. 2. Beyond controllable distance. 3. The controller did not match the remote.	1. Replace battery. 2. Reduce remote distance. 3. Re-match the remote.