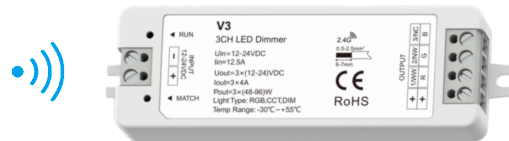
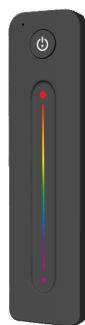


V3+R13

RF RGB

RGB LED Controller Kit

- Ultra sensitive color adjustment touch slide
- Smooth dimming and switch without any flickering
- Light on/off fade time 3s selectable
- Magnet on the back which can be easily stuck on back holder or any metal surfaces

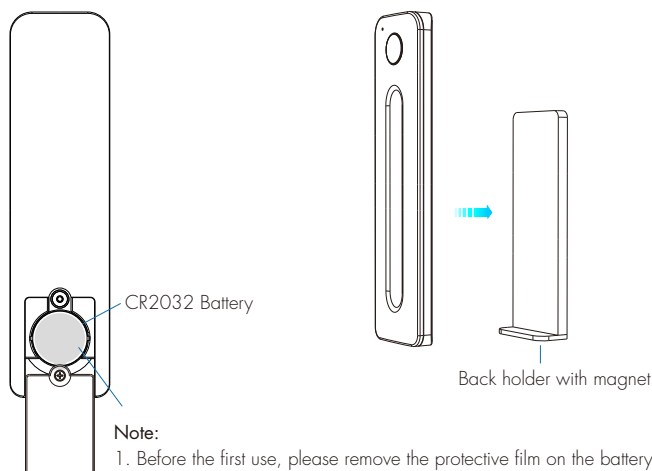
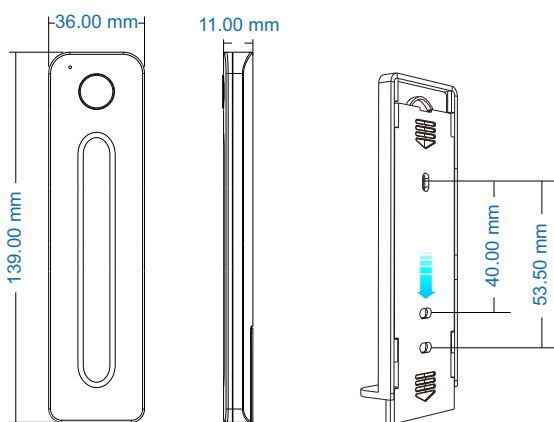
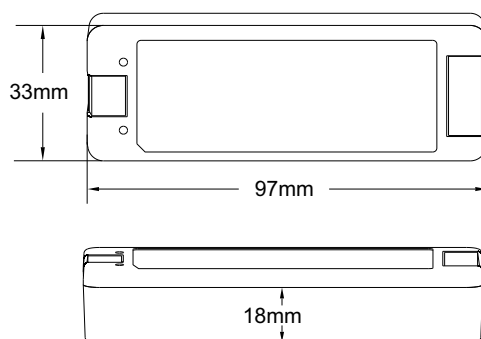
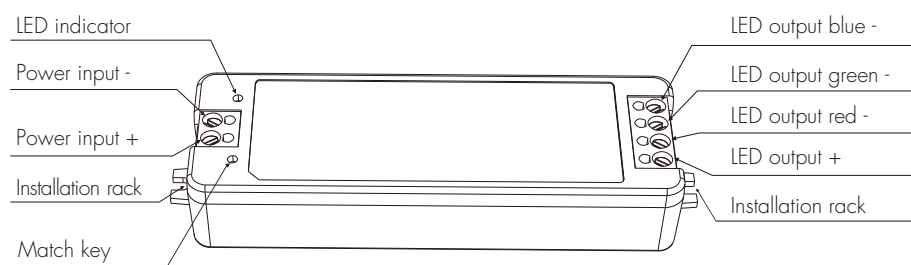


FC CE RoHS RED IC

Technical Parameters

LED Receiver's Input and Output		LED Remote's Input and Output		Safety and EMC		
Input voltage	12-24VDC	Output signal	RF 2.4GHz	EMC standard	EN 55015 EN IEC 61547:2023 ETSI EN 301 489-1 ETSI EN 301 489-3 ETSI EN 301 489-17 EN 55032EN 55035	
Input current	12.5A	Working voltage	3VDC(CR2032)		Safety standard	EN 61347-2-11 EN 61347-1
Output voltage	3x(12-24)VDC	Working current	<5mA			Radio Equipment
Output current	3CH,4A/CH	Standby current	<10µA		Certification	
Output power	144-288W(12-24V)	Standby time	1 year	Environment		
Output type	Constant voltage	Remote distance	30m(Barrier-free space)	Operation temperature	Ta: -30°C ~ +55°C	
Dimming data		Warranty and Protection		Case temperature (Max.)	Tc: +85°C	
Dimming level	4096 (2^12) levels	Warranty	5 years	IP rating	IP20	
Dimming range	0-100%	Protection	Reverse polarity Short circuit			
Dimming curve	Logarithmic					
PWM Frequency	1000Hz(default)					

Mechanical Structures and Installations



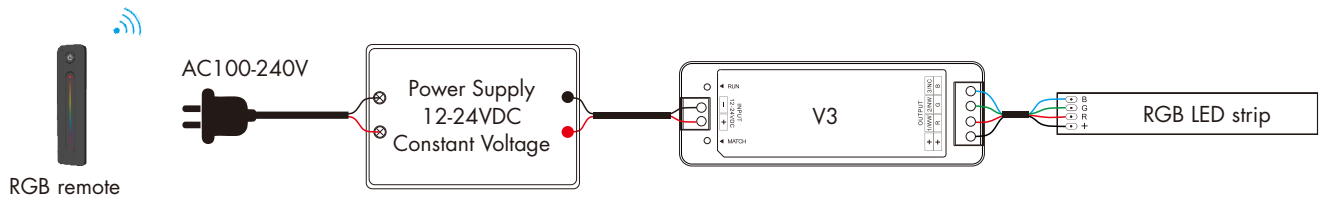
To fix the remote, three options are offered for selection:

- Option 1. Can be adsorbed directly onto metal surfaces.
- Option 2. Fix the remote' back holder on the wall with two screws.
- Option 3. Adhere the remote' back holder to the wall with paster.

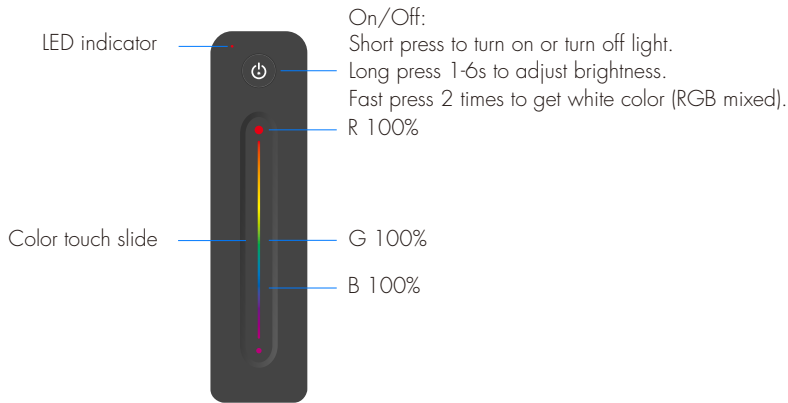
Note:

1. Before the first use, please remove the protective film on the battery.
2. If the LED indicator is not on when press key, it is due to dead battery or bad contact caused by multiple plugging, please replace the battery, or raise the battery shrapnel with a screw driver.

Wiring Diagram



Key Function



Match Remote Control (two match ways)

End user can choose the suitable match/delete ways. Two options are offered for selection:

Use the controller's Match key

Match:
Short press match key, immediately press on/off key of the remote.

Delete:
Press and hold match key for 5s to delete all match, The light blinks 5 times means all matched remotes were deleted.

Use Power Restart

Match:
Switch off the power, then switch on power, repeat again. Immediately short press on/off key 3 times on the remote. The light blinks 3 times means match is successful.

Delete:
Switch off the power, then switch on power, repeat again, Immediately short press on/off key 5 times on the remote. The light blinks 5 times means all matched remotes were deleted.

Light on/off Fade Time

Long press match key 5s, then short press match key 3 times, the light on/off time will be set to 3s, the indicator light blink 3 times.

Long press match key 10s, restore factory default parameter, the light on/off time also restore to 0.5s.

Malfunctions Analysis & Troubleshooting

Malfunctions	Causes	Troubleshooting
No light	<ol style="list-style-type: none"> No power. Wrong connection or insecure. 	<ol style="list-style-type: none"> Check the power. Check the connection.
Wrong color	<ol style="list-style-type: none"> Wrong connection of R/G/B wires. 	<ol style="list-style-type: none"> Reconnect R/G/B wires.
Uneven intensity between front and rear, with voltage drop	<ol style="list-style-type: none"> Output cable is too long. Wire diameter is too small. Overload beyond power supply capability. Overload beyond controller capability. 	<ol style="list-style-type: none"> Reduce cable or loop supply. Change wider wire. Replace higher power supply. Add power repeater.
No response from the remote	<ol style="list-style-type: none"> The battery has no power. Beyond controllable distance. The controller did not match the remote. 	<ol style="list-style-type: none"> Replace battery. Reduce remote distance. Re-match the remote.

Dimming Curve

