

## CCT LED Dimmer

- 2 channel constant voltage CCT LED RF dimmer with 3-button.
- Switch and dimming color by 3 buttons.
- Match with RF 2.4G single zone or multiple zone dual color remote control optional.
- One RF controller accept up to 10 remote control.
- 4096 levels 0-100% dimming smoothly without any flash.
- PWM frequency 500Hz, 2KHz, 8KHz or 16KHz selectable.
- Connect with external push switch to achieve on/off and 0-100% dimming function.
- Over-heat / Over-load / Short circuit protection, recover automatically.



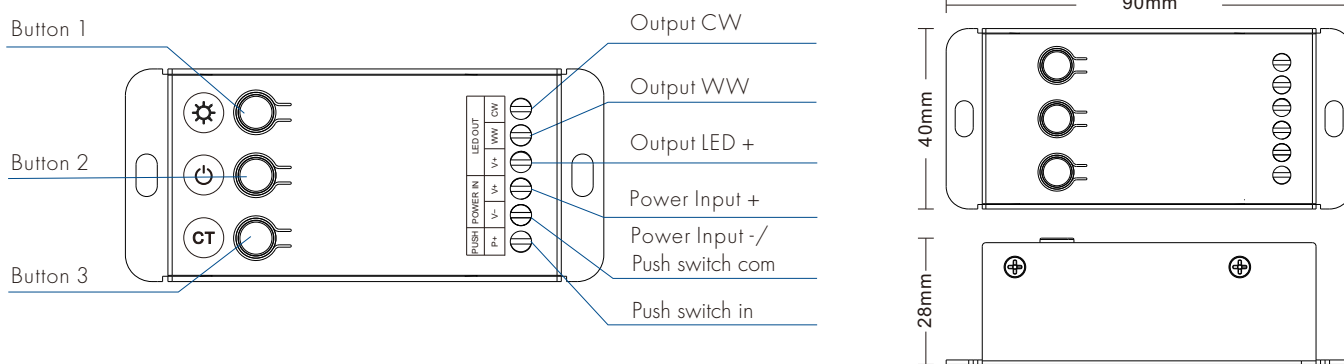
CE RoHS RED

3-button / RF dimming / Step-less dimming / Four PWM frequency / Push Dim / Multiple protection

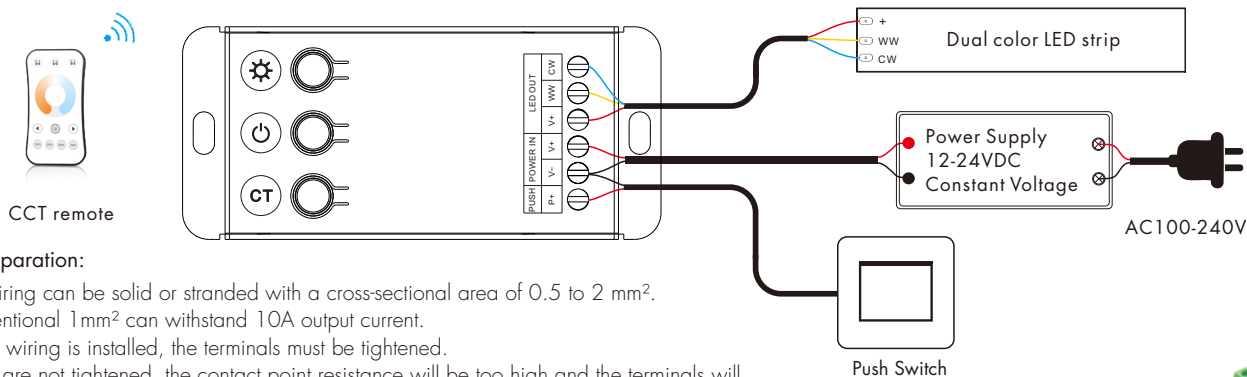
### Technical Parameters

Input and Output		Dimming data		Safety and EMC	
Input voltage	12-24VDC	Input signal	3-button + RF 2.4GHz+Push Dim	EMC standard (EMC)	ETSI EN 301 489-1 V2.2.3 ETSI EN 301 489-17 V3.2.4
Input current	20.5A	Control distance	30m(Barrier-free space)	Safety standard	EN 61348-1:2015+A1:2021 EN 61348-2-13:2014+A1:2017
Output voltage	2 x (12-24)VDC	Dimming gray scale	4096 (2 <sup>12</sup> ) levels	Radio Equipment(RED)	ETSI EN 300 328 V2.2.2
Output current	2x10A@500Hz/2KHz 2x8A@8KHz 2x6A@16KHz	Dimming range	0-100%	Certification	CE, EMC, RED
Output power	240-480W@500Hz/2KHz 192-384W@8KHz 144-288W@16KHz	Dimming curve	Linear	Package	
Environment		PWM frequency	500Hz/2KHz/8KHz/16KHz	Size	L100 x W46 x H38mm
Operation temperature	Ta: -30°C ~ +55°C	Warranty and Protection		Gross weight	0.081kg
Case temperature (Max.)	Tc: +85°C	Warranty	5 years		
		Protection	Reverse polarity Over-heat Over-load Short circuit		

### Mechanical Structures and Installations



### Wiring Diagram



#### Wire Preparation:

1. The wiring can be solid or stranded with a cross-sectional area of 0.5 to 2 mm<sup>2</sup>. Conventional 1mm<sup>2</sup> can withstand 10A output current.
2. When wiring is installed, the terminals must be tightened. If they are not tightened, the contact point resistance will be too high and the terminals will easily burn due to heat when used at full load for a long time.

**Note:** The output power of a constant voltage power supply should be at least 1.2 times that of the output load (light strip), otherwise the full power output of the load can easily cause automatic flickering or shaking of the light.

## Button function



Adjust brightness, short press 10 levels, long press 1-6s for continuous 256 levels adjustment.



Turn on or off light.



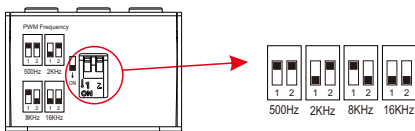
Adjust color temperature, short press 3 color cycle (warm white, natural white, cold white), long press 1-6s for continuous 256 levels adjustment.

## Push Dim

Click	ON/OFF
Double click	Switch between 3 levels color temperature (warm white, true white, cool white),
Long press(>1s)	Default long press to adjust brightness. Long press to adjust the color temperature after double-click or click to turn off the light. (Long press to adjust the color temperature status will automatically exit after 5 seconds)

The provided Push-Dim interface allows for a simple dimming method using commercially available non-latching(momentary) wall switches. If more than one controller are connected to the same push switch, do a long press for more than 10s, then the system is synchronized and all lights in the group dim up to 100%. This means there is no need for any additional synchrony wire in larger installations. We recommend the number of controllers connected to a push switch does not exceed 25 pieces, the maximum length of the wires from push to controller should be no more than 20 meters.

## PWM frequency setting



We can select four PWM frequency: 500Hz, 2KHz, 8KHz or 16KHz.

Higher PWM frequency, will cause lower output current, higher power noise, but more suitable for camera(No flickers for video).

## Match Remote Control (two match ways)

End user can choose the suitable match/delete ways. Two options are offered for selection:

### Use the controller's button

Match:

Long press button 1 and button 3 for 2s, the output LED blinks 2 times, immediately press on/off key (single zone remote) or zone key (multiple zone remote) of the remote. The output LED blinks 3 times means match is successful.

Delete:

Press and hold button 1 and button 3 for 5s to delete all match, The output LED blinks 5 times means all matched remotes were deleted.

### Use Power Restart

Match:

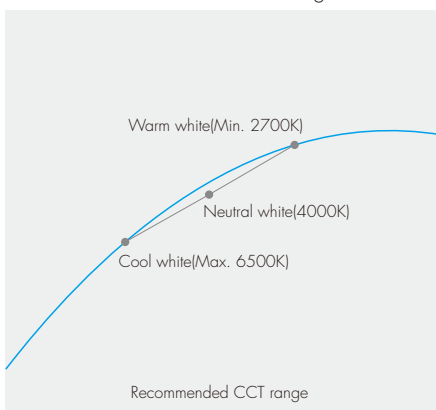
Switch off the power, then switch on power again, repeat again, immediately short press on/off key (single zone remote) or zone key (multiple zone remote) 3 times on the remote. The output LED blinks 3 times means match is successful.

Delete:

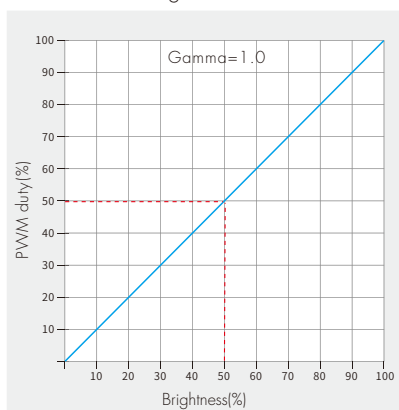
Switch off the power, then switch on power again, repeat again, immediately short press on/off key (single zone remote) or zone key (multiple zone remote) 5 times on the remote. The output LED blinks 5 times means all matched remotes were deleted.

## Dimming Curve

Linear dual color tuning



Dimming curve for CCT



## Installation Precautions

1. The products shall not be stacked, the distance should be  $\geq 20\text{cm}$ , so as not to affect lifespan of the products due to poor heat dissipation.
2. The product shall not be installed close to the switching power supply with an interval of  $\geq 20\text{cm}$  to avoid radiation interference of the switching power supply.
3. The installation height shall be  $\geq 1\text{m}$  from the floor to avoid shortening the remote control distance due to too weak reception signal.
4. The products are not allowed to be close to or covered by metal objects, with an interval of  $\geq 20\text{cm}$  to avoid signal attenuation and shorten the remote distance.
5. Avoid installation at the corner of the wall or the corner of the beam, with an interval of  $\geq 20\text{cm}$  to avoid signal interference.