

Touch Glass Panel 0/1-10V Dimmer

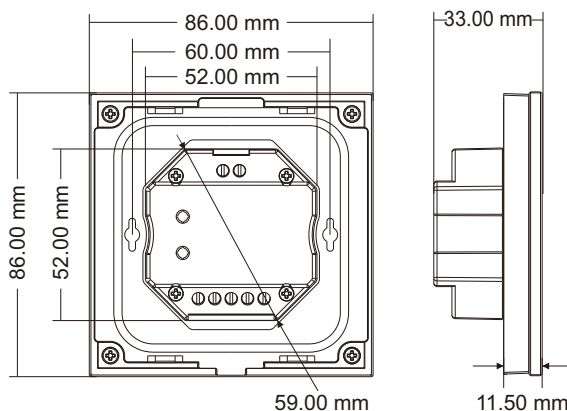
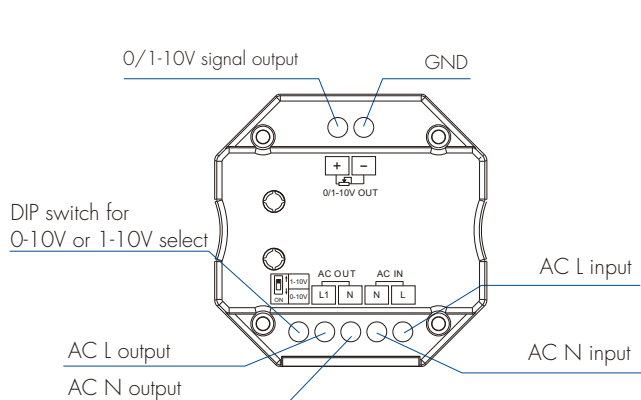
- Touch panel 0/1-10V dimmer, output 1 channel 0/1-10V signal.
- Output connect with 0/1-10V dimmable driver.
- High voltage AC input, high voltage AC relay output, with zero-crossing detection.
- Ultra sensitive high strength glass touch panel with touch slide in the middle.
- Compatibility with RF 2.4G dimming remote control.
- Touch keys with LED indicator.
- High-inrush specification relay.
- White & Black glass panel available.



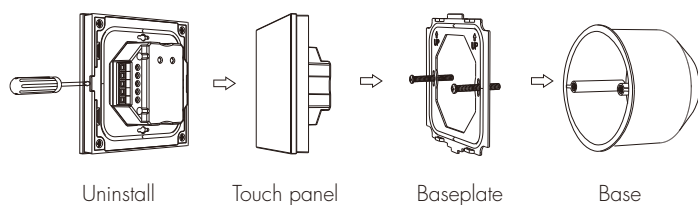
Technical Parameters

Input and Output		Dimming data		Safety and EMC	
Input voltage	AC100-240V	Input signal	Touch key + RF 2.4GHz	EMC standard	ETSI EN 301 489-1 V2.2.3 ETSI EN 301 489-17 V3.2.4
Output signal	0-10V (50mA)	RF control distance	10m(Barrier-free space)	Safety standard	EN 61347-1:2015+A1:2021 EN 61347-2-13:2014+A1:2017
Output current	Max. 3A (AC)	Dimming gray level	256 levels	Radio Equipment	ETSI EN 300 328 V2.2.2
Relay surge current	200A	Dimming range	0-100%	Certification	CE RED
Environment		Warranty		Package	
Operation temperature	Ta: -30°C ~ +55°C	Warranty	5 years	Size	L112 x W112 x H50mm
Case temperature (Max.)	Tc: +65°C			Gross weight	0.238kg
IP rating	IP20				

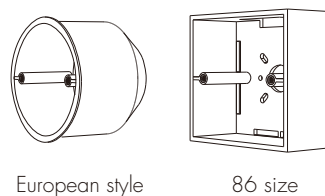
Mechanical Structures and Installations



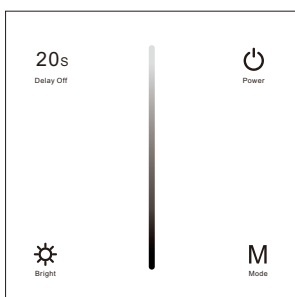
Installation diagram:



Typical base as below:



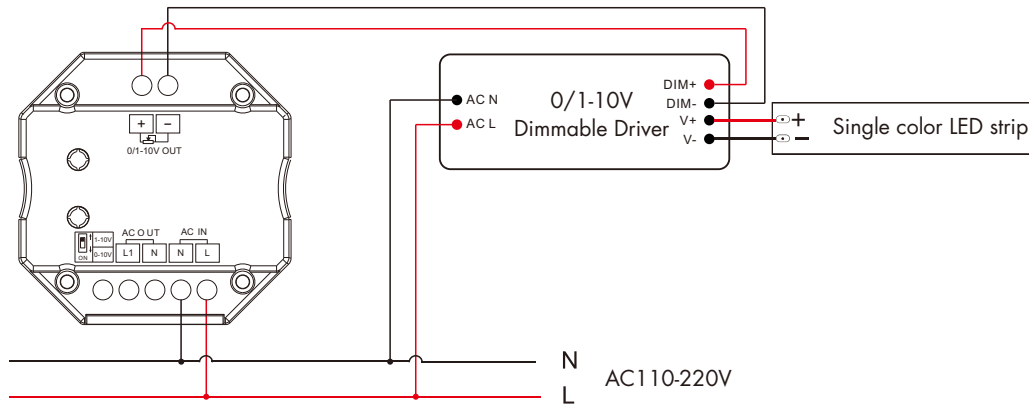
Key Function



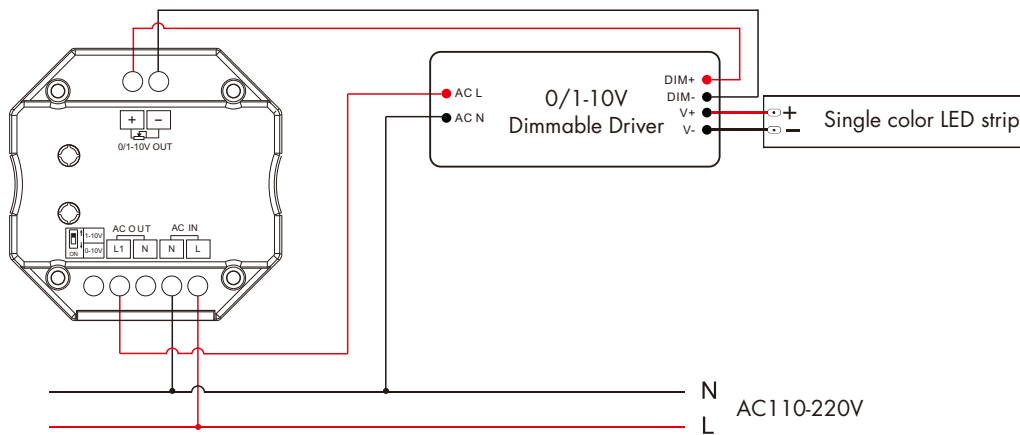
- Turn on/off light.
- Play dynamic mode, 6 level speed.
- Turn off light after 20s.
- Brightness, 10 levels.

Wiring Diagram

- Connect with 0/1-10V dimmable driver (no use AC OUT)



- Connect with 0/1-10V dimmable driver (use AC OUT)

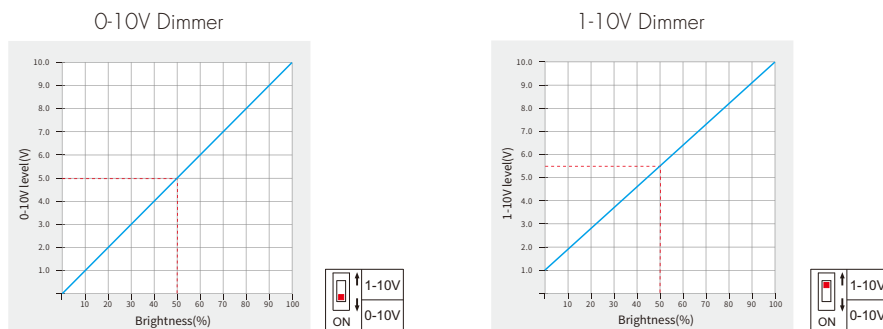


Note:

1. We recommend the number of LED drivers connected to 0/1-10V dimmer does not exceed 100 pieces,
2. The MAX. surge current of the AC OUT is 200A. When connecting multiple capacitive (LED power supplies) or inductive loads, the sum of the surge currents can not exceed its maximum value. Otherwise, long-term use may cause product damage.

0-10V or 1-10V Dimming Setting

Select 0-10V dimmer or 1-10V dimmer according to dimmable LED driver.



Match Remote Control (Two Match Ways)

The 0-10V touch panel dimmer can also match with the RF dimming remote (optional).

End user can choose the suitable match/delete ways. Two options are offered for selection:

Use On/Off key

Match:

Turn on light, turn off, immediately press the On/Off key of the panel for 5s, then press on/off key (single zone remote) or zone key (multiple zone remote) of the RF remote within 5s.

The LED indicator fast flash 3 times means match is successful.

Delete:

Turn on light, turn off, immediately press the On/Off key of the panel for 10s to delete all match,

The LED indicator fast flash 6 times means all matched remotes were deleted.

Use Power Restart

Match:

Switch off the power, then switch on power, repeat again, Immediately short press on/off key (single zone remote) or zone key (multiple zone remote) 3 times on the remote. The LED indicator blinks 3 times means match is successful.

Delete:

Switch off the power, then switch on power, repeat again, Immediately short press on/off key (single zone remote) or zone key (multiple zone remote) 5 times on the remote.

The LED indicator blinks 5 times means all matched remotes were deleted.