

Wall Mounted Touch Panel



T11(IT)



T12(IT)



T13(IT)



T14(IT)

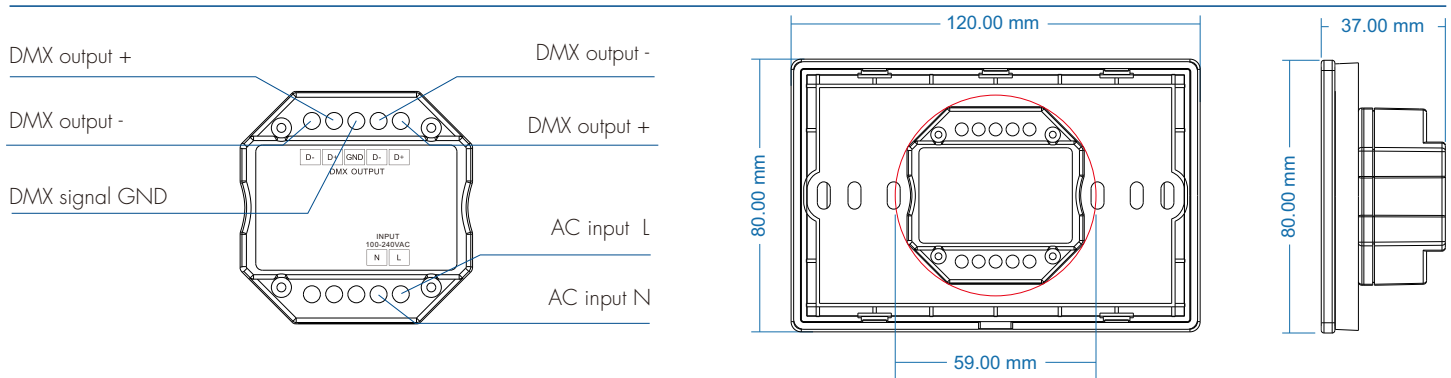
- Touch panel 4 zone 1-4 color DMX512 master, can also be used as 4 zone 1-4 color RF remote.
- DMX signal output, comply to standard DMX512 protocol, compatible with DMX decoder from any supplier.
- When used as RF remote, each zone can remote control multiple Skydance's 2.4G LED controllers.
- Ultra sensitive high strength glass touch panel with touch color wheel in the middle.
- Smooth and accurate color adjustment by touching the color wheel.
- Touch keys with chord tones and LED indicator.
- White & Black glass panel available.

CE RoHS RED

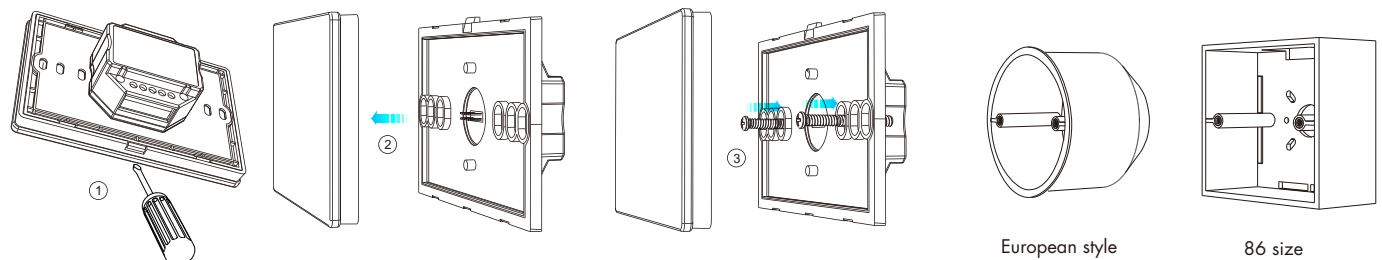
Technical Parameters

Model No.	T11(IT)	T12(IT)	T13(IT)	T14(IT)	Input and Output
Light type	Single color	Dual color	RGB	RGBW	Input voltage 100-240VAC
Output DMX channel number	4	8	12	16	Input current Max 0.1A
Safety and EMC		Environment			Output signal DMX512, RF 2.4GHz
EMC standard	EN 55015 EN IEC 61547:2023 ETSI EN 301 489-1 ETSI EN 301 489-3 ETSI EN 301 489-17 EN 55032 EN 55035	Operation temperature	Ta: -30°C ~ +55°C		Dimming data
Safety standard	EN 60730-1	Case temperature (Max.)	Tc: +65°C		Input signal Touch key + RF 2.4GHz
Radio Equipment	EN 62479:2010 EN 50663:2017 ETSI EN 300 440 ETSI EN 300 328	IP rating	IP20		RF Control distance 10m(Barrier-free space)
Certification	CE RED	Package			Dimming level 256 levels
		Size	L135 x W100 x H58mm		Dimming range 0 - 100%
		Gross weight	0.246kg		Warranty
					Warranty 5 years

Mechanical Structures and Installations

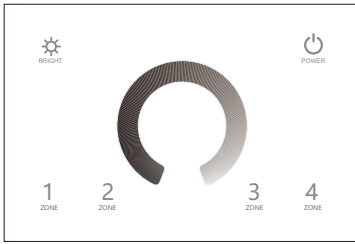


Installation diagram:



Key function

• T11(IT) Single color panel

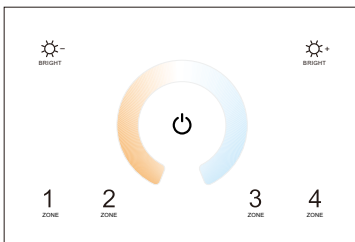


- Turn on/off all zone light.
- Brightness, 10 levels.
- Brightness wheel.

1 2 3 4
ZONE ZONE ZONE ZONE

Short press turn on zone light and select zone simultaneously, long press 2s turn off zone light.
Short press multiple zone key fastly, will select multiple zone synchronously.
4 zone control separately or synchronously, each zone could control multiple receivers.

• T12(IT) Dual color panel

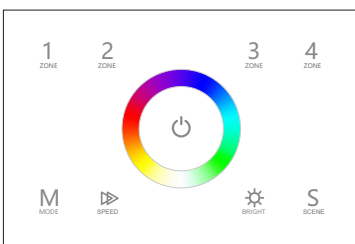


- Turn on/off all zone light.
- Brightness +, 10 levels.
- Brightness -, 10 levels.
- Color temperature wheel.

1 2 3 4
ZONE ZONE ZONE ZONE

Short press turn on zone light and select zone simultaneously, long press 2s turn off zone light.
Short press multiple zone key fastly, will select multiple zone synchronously.
4 zone control separately or synchronously, each zone could control multiple receivers.

• T13(IT) RGB panel

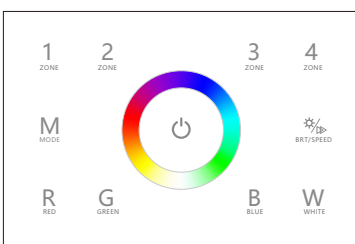


- Turn on/off all zone light.
- Color wheel.
- M** MODE — Short press play 10 built-in dynamic mode, long press 2s run mode-cycle.
- Adjust dynamic mode speed or RGB color saturation, 10 levels.
- Adjust brightness, 10 levels.
- S** SCENE — Short press replay scene. Long press 2s to save the current color into the scene.

1 2 3 4
ZONE ZONE ZONE ZONE

Short press turn on zone light and select zone simultaneously, long press 2s turn off zone light.
Short press multiple zone key fastly, will select multiple zone synchronously.
4 zone control separately or synchronously, each zone could control multiple receivers.

• T14(IT) RGBW panel



- Turn on/off all zone light.
- Color wheel.
- M** MODE — Short press play 10 built-in dynamic mode, long press 2s run mode-cycle.
- Adjust dynamic mode speed or static color brightness, 10 levels.

R G B W
RED GREEN BLUE WHITE

Short press get red, green, blue, white color,
long press adjust each color brightness.

1 2 3 4
ZONE ZONE ZONE ZONE

Short press turn on zone light and select zone simultaneously, long press 2s turn off zone light.
Short press multiple zone key fastly, will select multiple zone synchronously.
4 zone control separately or synchronously, each zone could control multiple receivers.

Note: After touch power key to turn off light, long press power key for 5 seconds will turn on or turn off tone.

Touch Panel work as DMX512 master match RF remote

Touch panel 4 zone DMX512 master can also match with 4 zone RF remote (Optional).
End user can choose the suitable match/delete ways. Two options are offered for selection:

Use On/Off key

Match:

Turn on light, turn off, immediately press the On/Off key of the panel for 5s, then press any zone key of the RF remote within 5s.
The LED indicator fast flash 3 times means match is successful.

Delete:

Turn on light, turn off, immediately press the On/Off key of the panel for 10s to delete all match,
The LED indicator fast flash 6 times means all matched remotes were deleted.

Use Power Restart

Match:

Switch off the power of the panel, then switch on power, repeat again.
Immediately short press any zone key 3 times on the remote.
The LED indicator fast flash 3 times means match is successful.

Delete:

Switch off the power of the panel, then switch on power, repeat again.
Immediately short press any zone key 5 times on the remote.
The LED indicator fast flash 6 times means all matched remotes were deleted.

Touch Panel work as RF remote

Touch panel 4 zone remote can match with RF controller for the corresponding light type.
End user can choose the suitable match/delete ways. Two options are offered for selection:

Use the controller's Match key

Match:

Short press match key, immediately press zone key of the touch panel.
The LED indicator fast flash a few times means match is successful.

Delete:

Press and hold match key for 5s to delete all match,
The LED indicator fast flash a few times means all matched remotes were deleted.

Use Power Restart

Match:

Switch off the power of the receiver, then switch on power, repeat again.
Immediately short press zone key 3 times on the touch panel.
The light blinks 3 times means match is successful.

Delete:

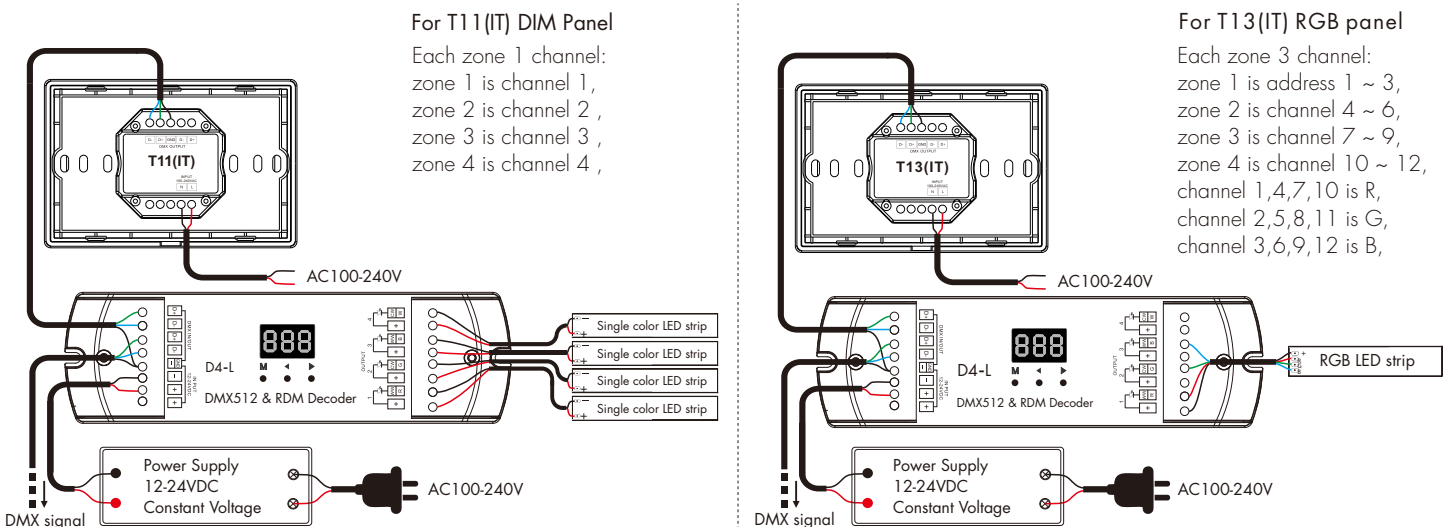
Switch off the power of the receiver, then switch on power, repeat again.
Immediately short press zone key 5 times on the touch panel.
The light blinks 5 times means all matched remotes were deleted.

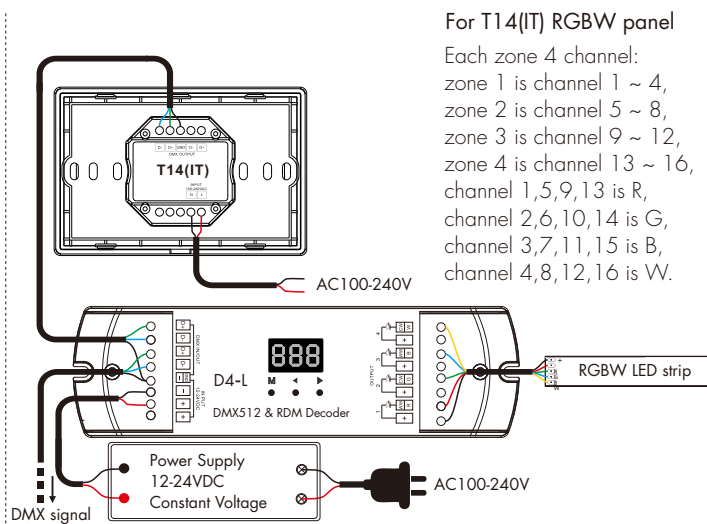
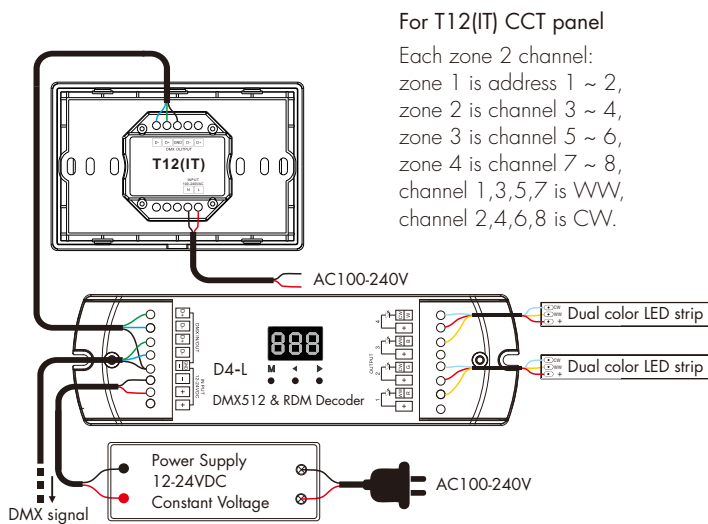
The address assignment of touch panel work as DMX512 master

After connect with DMX decoders, please set the DMX decoders address as below:

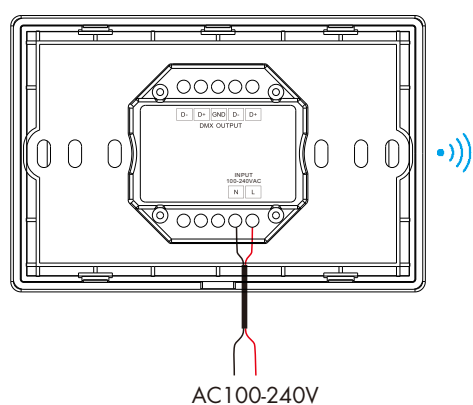
Model No.	T11(IT)	T12(IT)		T13(IT)			T14(IT)			
		VW	CW	R	G	B	R	G	B	W
Zone 1 DMX decoder's address	1	1	2	1	2	3	1	2	3	4
Zone 2 DMX decoder's address	2	3	4	4	5	6	5	6	7	8
Zone 3 DMX decoder's address	3	5	6	7	8	9	9	10	11	12
Zone 4 DMX decoder's address	4	7	8	10	11	12	13	14	15	16

Wiring Diagram for touch panel work as DMX512 master





Wiring Diagram for touch panel work as RF remote



RGB/RGBW dynamic mode list (only for T13(IT) / T14(IT))

No.	Name	No.	Name
1	RGB jump	6	RGB fade in and out
2	RGB smooth	7	Red fade in and out
3	6 color jump	8	Green fade in and out
4	6 color smooth	9	Blue fade in and out
5	Yellow cyan purple smooth	10	White fade in and out

Malfunctions analysis & troubleshooting

Malfunctions	Causes	Troubleshooting
No light	1.No power. 2.Wrong connection or insecure.	1.Check the power. 2.Check the connection.
Wrong color	1.DMX decoder first address error. 2.Wrong connection of output wires.	1.Check the DMX first address. 2.Reconnect output wires.