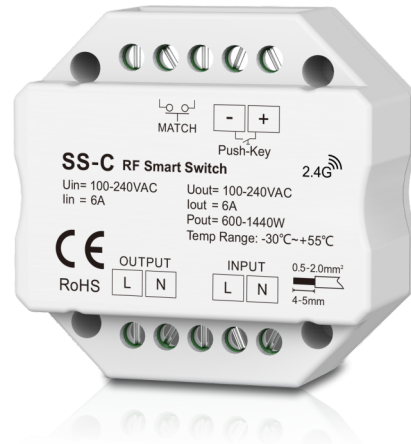


RF Smart AC Switch

- RF smart switch with relay output, without dimming function.
- To switch single color LED lamps, traditional incandescent and halogen lights.
- Compatibility with RF 2.4G dimming remote control.
- Connect with external push switch optional.
- High-inrush specification relay.
- Easy to be placed in standard wall junction box behind a push switch.

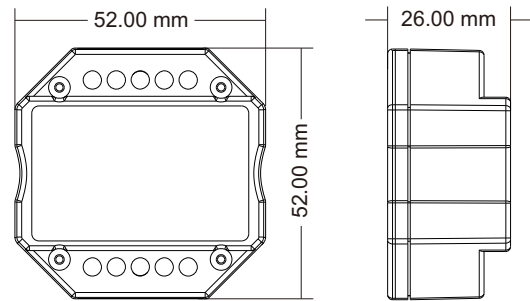
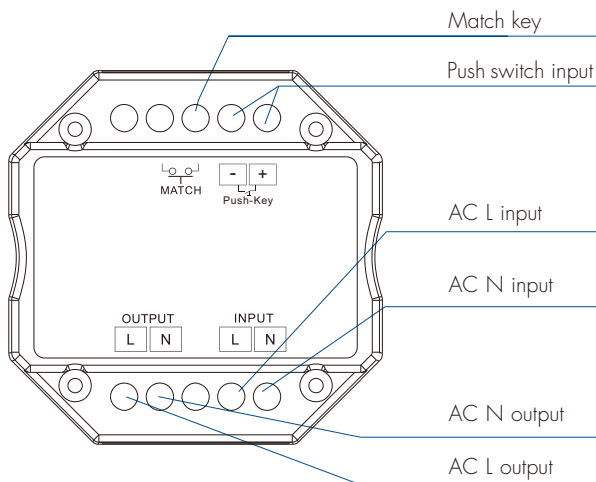


CE RoHS  LVD

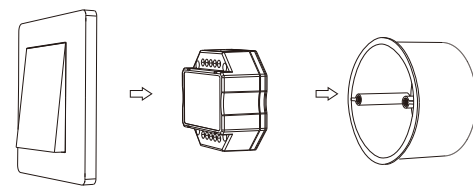
Technical Parameters

Input and Output		Environment		Safety and EMC	
Input voltage	AC100-240V	Operation temperature	Ta: -30°C ~ +55°C	EMC standard (EMC)	ETSI EN 301 489-1 V2.2.3 ETSI EN 301 489-17 V3.2.4
Output voltage	AC100-240V	Case temperature (Max.)	Tc: +65°C	Safety standard(LVD)	EN 62368-1:2020+A11:2020
Output current	Max 6A	IP rating	IP20	Radio Equipment	ETSI EN 300 328 V2.2.2
Output power	600-1440W	Package		Certification	CE,EMC,LVD
Relay surge current	120A	Size	L60x W60 x H40mm	Warranty	
Input signal	RF 2.4GHz + Push switch	Gross weight	0.072kg	Warranty	5 years
RF Control distance	30m(Barrier-free space)				

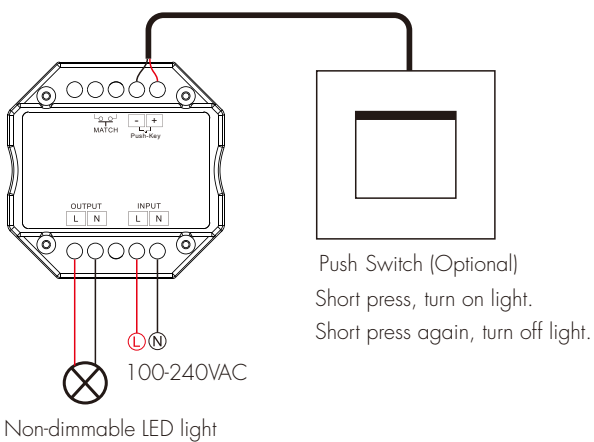
Mechanical Structures and Installations



Typical Wall Junction Box Mounting



Wiring diagram



Note:

1. The upper Push-button input port can not connect any AC or DC power supply, otherwise, the product will be damaged.
2. The MAX. surge current of the AC OUT is 120A.
When connecting multiple capacitive(LED power supplies) or inductive loads, the sum of the surge currents can not exceed its maximum value. Otherwise, long-term use may cause product damage.

Match Remote Control (two match ways)

End user can choose the suitable match/delete ways. Two options are offered for selection:

Use the controller's Match key

Match:

Short press match key, immediately press on/off key (single zone remote) or zone key (multiple zone remote) of the remote.

Delete:

Press and hold match key for 5s to delete all match, The light blinks 5 times means all matched remotes were deleted.

Use Power Restart

Match:

Switch off the power, then switch on power, repeat again. Immediately short press on/off key (single zone remote) or zone key (multiple zone remote) 3 times on the remote.

Delete:

Switch off the power, then switch on power repeat again. Immediately short press on/off key (single zone remote) or zone key (multiple zone remote) 5 times on the remote.

Available RF remote



RU4
4 zone remote



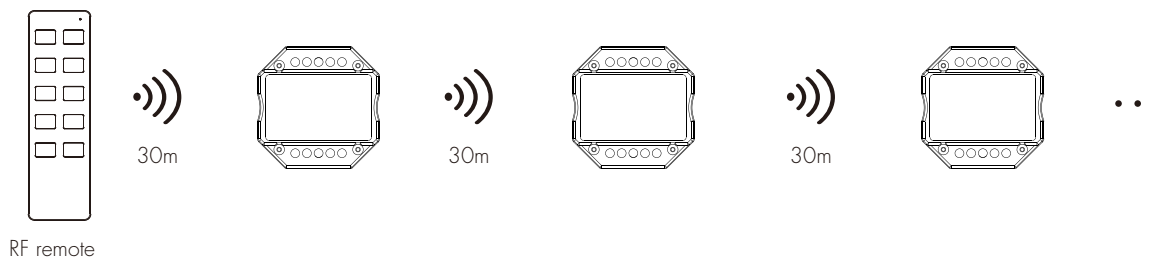
RU8
8 zone remote



PF1-2
2 zone remote

Application notes

1. All the receivers in the same zone.



Auto-transmitting: One receiver can transmit the signals from the remote to another receiver within 30m, as long as there is a receiver within 30m, the remote control distance can be extended.

Auto-synchronization: Multiple receivers within 30m distance can work synchronously when they are controlled by the same remote.

Receiver placement may offer up to 30m communication distance. Metals and other metal materials will reduce the range.

Strong signal sources such as WiFi routers and microwave ovens will affect the range.

We recommend for indoor applications that receiver placements should be no further apart than 1.5m.

2. Each receiver(one or more) in a different zone, like zone 1, 2, 3 or 4.

