

Touch Glass Panel AC Triac Dimmer

- Touch glass panel AC phase-cut dimmer, 1 channel output.
- To dim and switch single color dimmable LED lamps, traditional incandescent and halogen lights.
- Ultra sensitive high strength glass touch panel with touch slide in the middle.
- 256 levels 0-100% dimming smoothly without any flash.
- Leading edge dimming or trailing edge dimming set by dip switch.
- Light on/off fade time 3s selectable.
- Compatibility with RF 2.4G single zone or multiple zone dimming remote control.
- Over-heat / Over-load protection, recover automatically.
- White & Black glass panel available.

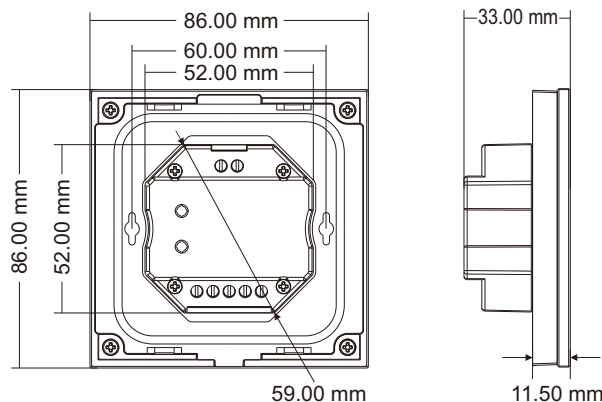
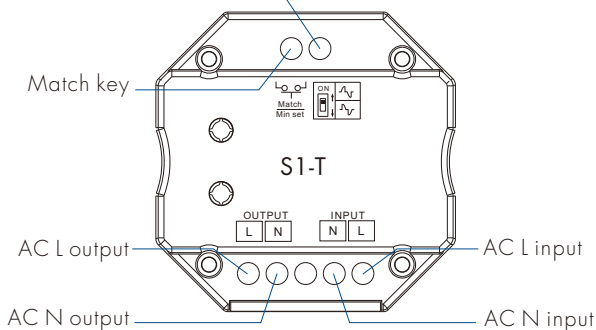


Technical Parameters

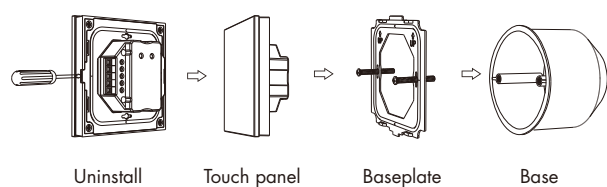
| Input and Output | | Safety and EMC | | Environment | |
|---------------------|-------------------------|-----------------|--|-------------------------|---------------------|
| Input voltage | AC100-240V | EMC standard | EN 62479:2010 ETSI EN 301 489-1 V2.2.3 ETSI EN 301 489-17 V3.2.4 | Operation temperature | Ta: -30 °C ~ +55 °C |
| Output voltage | AC100-240V | Safety standard | EN 61347-1:2015+A1:2021 EN 61347-2-13:2014+A1:2017 | Case temperature (Max.) | Tc: +85 °C |
| Output current | Max 1.5A | Radio Equipment | ETSI EN 300 328 V2.2.2 | Package | |
| Output power | 150-360W | Certification | CE RED | Size | L112x W112 x H50mm |
| Input signal | Touch key + RF 2.4GHz | Warranty | 5 years | Gross weight | 0.239kg |
| RF Control distance | 10m(Barrier-free space) | | | | |

Mechanical Structures and Installations

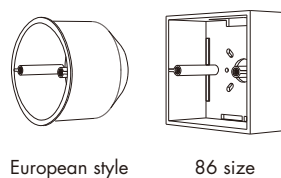
DIP switch for Leading edge or trailing edge phase-cut select



Installation diagram:



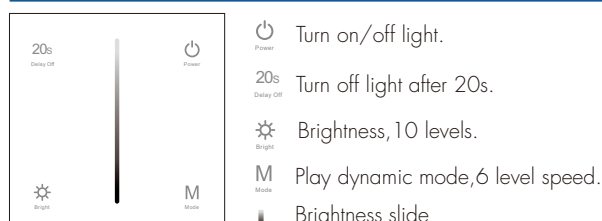
Typical base as below:



Compatible Load Types

| Load Type | Maximum Load | Remarks |
|---|----------------------------|--|
| Dimmable LED lamps | 200W @ 220V 100W @ 110V | Due to variety of LED lamp designs, maximum number of LED lamps is further dependent on power factor result when connected to dimmer. |
| Triac Dimmable LED drivers | 200W @ 220V 100W @ 110V | Maximum permitted number of drivers is 200W divided by driver nameplate power rating, and make sure the surge current is no more than 2 times 65A. |
| Incandescent lighting, HV Halogen lamps | 400W @ 220V 200W @ 110V | |

Key Function

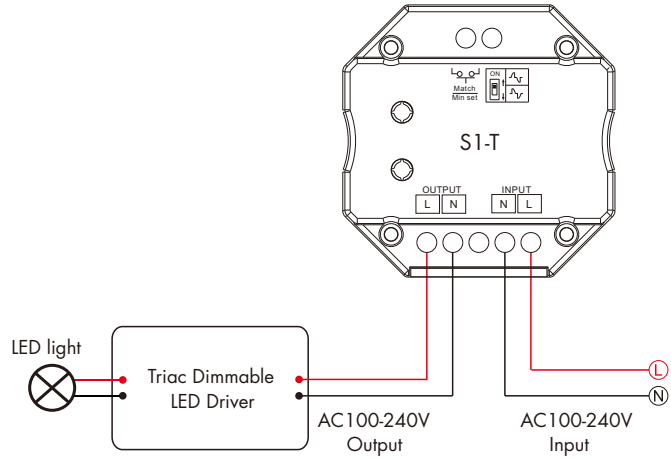
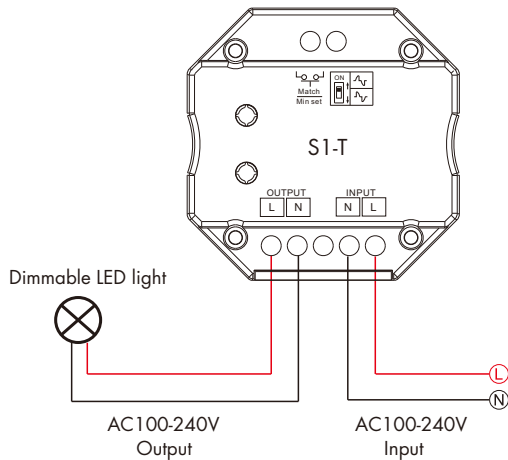


Wiring Diagram

⚠ Caution: Please carefully ensure all wire connections and polarities are correct and secure before applying power, otherwise this controller will be damaged.

• Connect with dimmable LED light

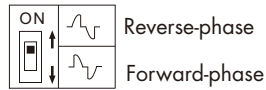
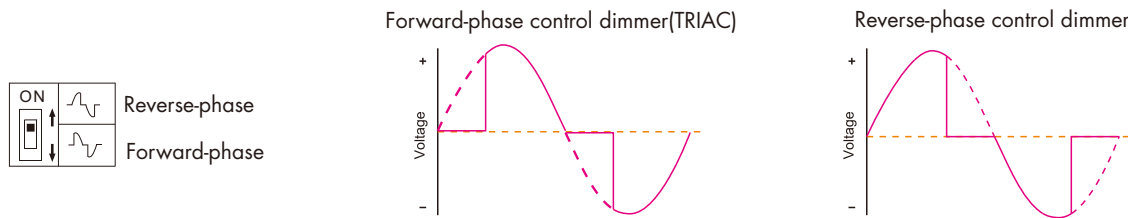
• Connect with Triac dimmable LED driver



Note: When calculating the maximum number of load lamps or drivers, the input power or input current parameters of a single lamp or driver must be used, the output power parameters can not be used.
In addition, the maximum surge current of the dimmer is 65A, the sum of surge current of multiple dimmable LED drivers should not exceed 2 times. otherwise, the product will be overloaded and damaged.

Leading Edge or Trailing Edge Dimming Setting

Select leading edge(forward-phase) dimmer or trailing edge(reverse-phase) dimmer according to dimmable LED light or driver.



Caution: before power on, you must confirm the selection of dip switch.

Min Brightness Setting

Long press Min set key for 2s, the light blink 2 times, ready for min brightness set, then short press Min set key 1-6 times, to get 6 min brightness: 5%, 10%, 15%, 20%, 25% or 30%, the light will output the current min brightness immediately,
Long press Min set key for 2s or wait 8s, quit min brightness set, the light will output 100% brightness automatically.

Light On/Off Fade Time

Long press Match key 5s, then short press Match key 3 times, the light on/off time will be set to 3s, the indicator light blink 3 times.
Long press Match key 10s, restore factory default parameter, the light on/off time also restore to 0.5s.

Match Remote Control (Three Match Ways)

The AC triac rotary panel dimmer can also match with the RF dimming remote (optional).
End user can choose the suitable match/delete ways. Three options are offered for selection:

Use Match key

Match: Short press match key, immediately press on/off key(single zone remote) or zone key(multiple zone remote) of the remote.
Delete: Press and hold match key for 5s to delete all match, The light blinks 5 times means all matched remotes were deleted.

Use On/Off key

Match: Turn on light, turn off, immediately press the On/Off key of the panel for 5s, then press on/off key (single zone remote) or zone key (multiple zone remote) of the RF remote within 5s. The LED indicator fast flash 3 times means match is successful.

Delete: Turn on light, turn off, immediately press the On/Off key of the panel for 10s to delete all match,
The LED indicator fast flash 6 times means all matched remotes were deleted.

Use Power Restart

Match: Switch off the power, then switch on power, repeat again, immediately short press on/off key (single zone remote) or zone key (multiple zone remote) 3 times on the remote. The light blinks 3 times means match is successful.

Delet: Switch off the power, then switch on power, repeat again, immediately short press on/off key (single zone remote) or zone key (multiple zone remote) 5 times on the remote. The light blinks 5 times means all matched remotes were deleted.