

# Rotary Panel 0/1-10V Dimmer

- Rotary panel 0/1-10V dimmer, 1 channel output.
- Output 1 channel 0/1-10V signal, connect with 0/1-10V dimmable driver.
- High voltage AC input, high voltage AC relay output, with zero-crossing detection.
- 0-10V or 1-10V output selectable by DIP switch.
- Rotate knob to change brightness, support push and long push operation.
- Compatibility with RF 2.4G dimming remote control.
- High-inrush specification relay.

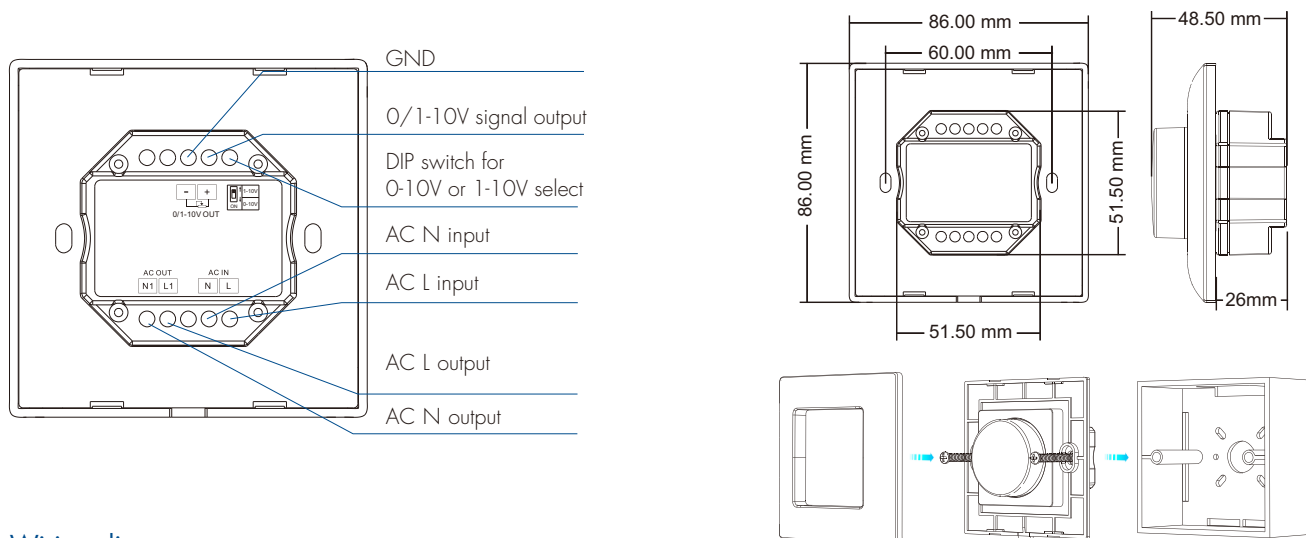


CE RoHS  LVD

## Technical Parameters

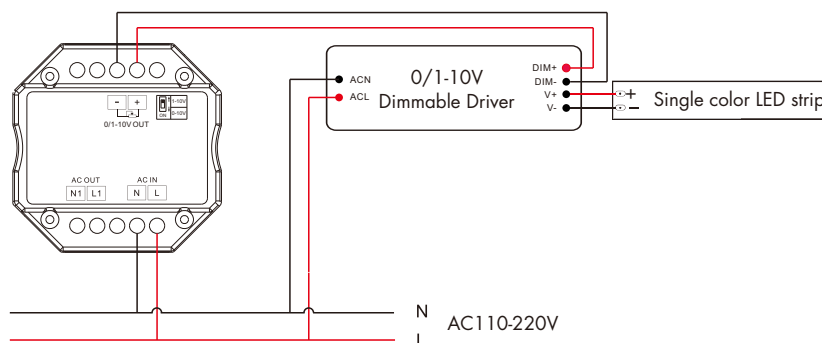
Input and Output		Dimming data		Safety and EMC	
Input voltage	AC100-240V	Input signal	Rotary knob + RF 2.4GHz	EMC standard (EMC)	ETSI EN 301 489-1 V2.2.3 ETSI EN 301 489-17 V3.2.4
Output signal	0-10V (50mA)	RF control distance	30m(Barrier-free space)	Safety standard(LVD)	EN 62368-1:2020+A11:2020
Output current	Max. 3A (AC)	Dimming gray level	256 levels	Radio Equipment(RED)	ETSI EN 300 328 V2.2.2
Relay surge current	200A	Dimming range	0-100%	Certification	CE,EMC,LVD,RED
Environment		Package		Warranty	
Operation temperature	Ta: -30 °C ~ +55 °C	Size	L112 x W112 x H60mm	Warranty	5 years
Case temperature (Max.)	Tc: +65 °C	Gross weight	0.160kg		
IP rating	IP20				

## Mechanical Structures and Installations

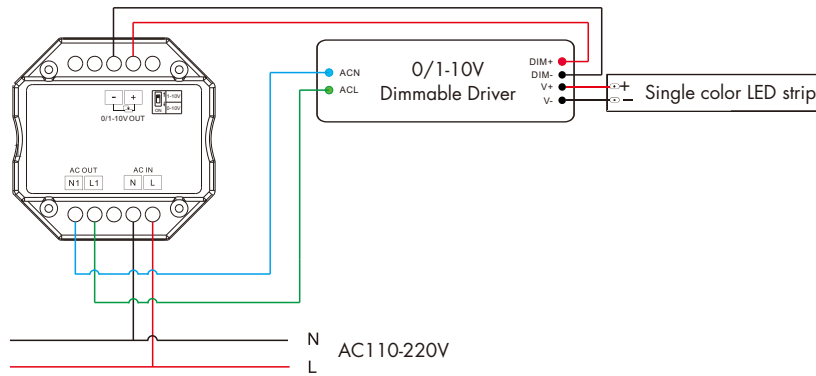


## Wiring diagram

- Connect with 0/1-10V dimming driver (no use AC OUT)



- Connect with 0/1-10V dimming driver (use AC OUT)



**Note:**

1. We recommend the number of LED drivers connected to 0/1-10V dimmer does not exceed 100 pieces, the maximum length of the wires from dimmer to LED driver should be no more than 50 meters.
2. The MAX. surge current of the AC OUT is 200A. When connecting multiple capacitive (LED power supplies) or inductive loads, the sum of the surge currents can not exceed its maximum value. Otherwise, long-term use may cause product damage.

### Knob function

- Push: Turn on or off light.  
**After turn on light:**
- Rotate: Rotate knob to adjust brightness, 2.5 turns, 50 levels.
- Long push(1-6s): Continuous 256 levels brightness adjustment.

### Match Remote Control (two match ways)

The 0/1-10V rotary panel dimmer can also match with the RF dimming remote (optional). End user can choose the suitable match/delete ways. Two options are offered for selection:

**Use Knob**

Match:  
 Turn on light, turn off, immediately push the knob for 5s, immediately press on/off key(single zone remote) or zone key(multiple zone remote) of the remote.

Delete:  
 Turn on light, turn off, immediately push the knob for 10s, delete all matched remotes.

**Use Power Restart**

Match:  
 Switch off the power, then switch on power, repeat again, Immediately short press on/off key (single zone remote) or zone key (multiple zone remote) 3 times on the remote. The light blinks 3 times means match is successful.

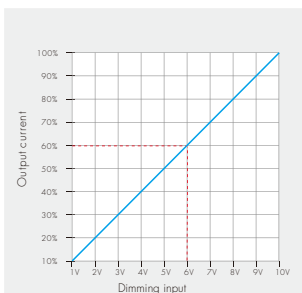
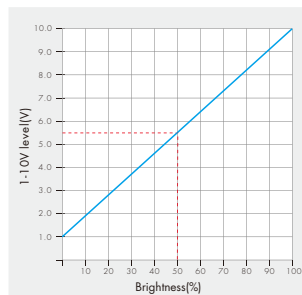
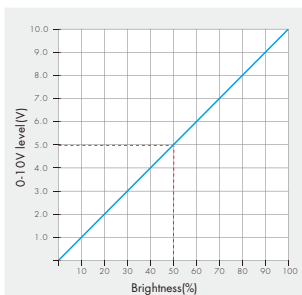
Delete:  
 Switch off the power, then switch on power, repeat again, Immediately short press on/off key (single zone remote) or zone key (multiple zone remote) 5 times on the remote. The light blinks 5 times means all matched remotes were deleted.

### 0-10V or 1-10V dimming setting

Select 0-10V dimmer or 1-10V dimmer according to dimmable LED driver.

0-10V Dimmer

1-10V Dimmer



**Note:**

When the output channel is off, the output dimming signal is 0V or 1V.  
 Please read the dimming section of the dimming driver manual.  
 If the dimming characteristic curve is the same as left, you must select 1-10V dimmer and use AC OUT function, otherwise you can't turn off the lights.