

EV1-X

Power Repeater

1 Channel Constant Voltage Power Repeater

- 12-24V constant voltage power repeater.
- 1 channel, 30A per channel.
- To receive PWM signal control.
- Power repeater in series or in parallel to expand output unlimitedly.
- Apply to single color constant voltage LED strip or module.



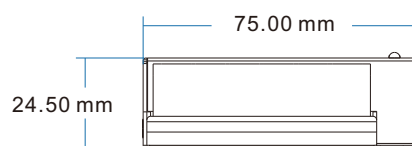
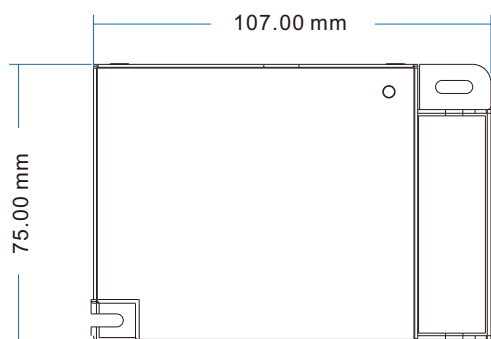
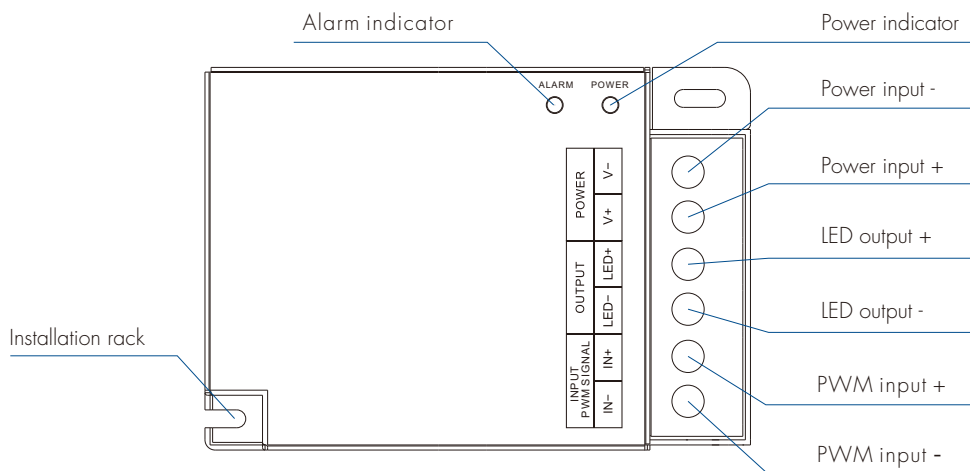
CE RoHS

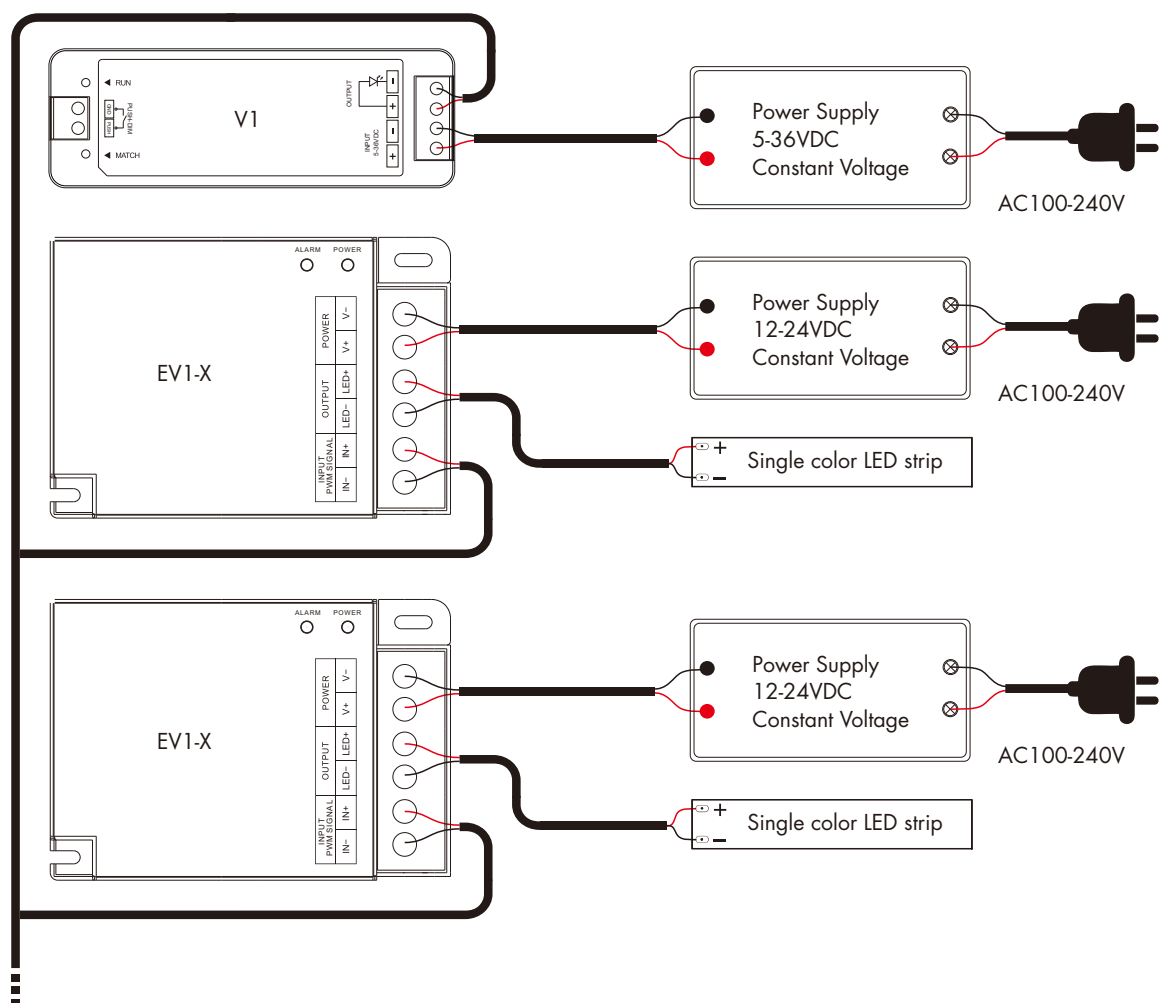
1 Channel/PWM signal input/Constant voltage output/3KV optoelectronic isolation

Technical Parameters

Input and Output		Warranty and Protection		Safety and EMC	
Input voltage	12-24VDC	Warranty	5 years	EMC standard	EN IEC 55015:2019+A11:2020 EN 61547:2009
Input current	30A	Protection	Reverse polarity, Over-heat Over-load, Short circuit	Safety standard	EN IEC 61000-3-2:2019+A1:2021 EN 61000-3-3:2013+A1:2019
Input signal	PWM			Certification	EN 61347-1:2015+A1:2021 EN 61347-2-13:2014+A1:2017
Output voltage	12-24VDC	Environment		Package	
Output current	30A	Operation temperature	Ta: -30°C ~ +55°C	Size	L120 x W90 x H30mm
Output power	360-720W	Case temperature (Max.)	Tc: +85°C	Gross weight	0.263kg
Output type	Constant voltage	IP rating	IP20		

Mechanical Structures and Installations





Note: If the power repeater is over heat, over load or short circuit, the ALARM LED indicator will blink.

Malfunctions analysis & troubleshooting

Malfunctions	Causes	Troubleshooting
No light	<ol style="list-style-type: none"> 1. No power. 2. Wrong connection or insecure. 	<ol style="list-style-type: none"> 1. Check the power. 2. Check the connection.
Uneven intensity between front and rear, with voltage drop	<ol style="list-style-type: none"> 1. Output cable is too long. 2. Wire diameter is too small. 3. Overload beyond power supply capability. 4. Overload beyond controller capability. 	<ol style="list-style-type: none"> 1. Reduce cable or loop supply. 2. Change wider wire. 3. Replace higher power supply. 4. Add power repeater.

Safety & Warnings

1. The product shall be installed and serviced by a qualified person.
2. This product is non-waterproof. Please avoid the sun and rain.
3. Good heat dissipation will prolong the working life of the controller, Please ensure good ventilation.
4. Please check if the output voltage of any power supplies used comply with the working voltage of the product.
5. Ensure all wire connections and polarities are correct and secure before applying power to avoid any damages to the LED lights.
6. If a fault occurs please return the product to your supplier. Do not attempt to fix this product by yourself.