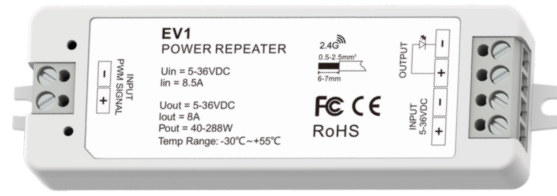


# 1 Channel Constant Voltage Power Repeater

- 5-36V constant voltage power repeater.
- one channel, 8A.
- To receive PWM signal control.
- Power repeater in series or in parallel to expand output unlimitedly.
- Apply to single color constant voltage LED strip or module.

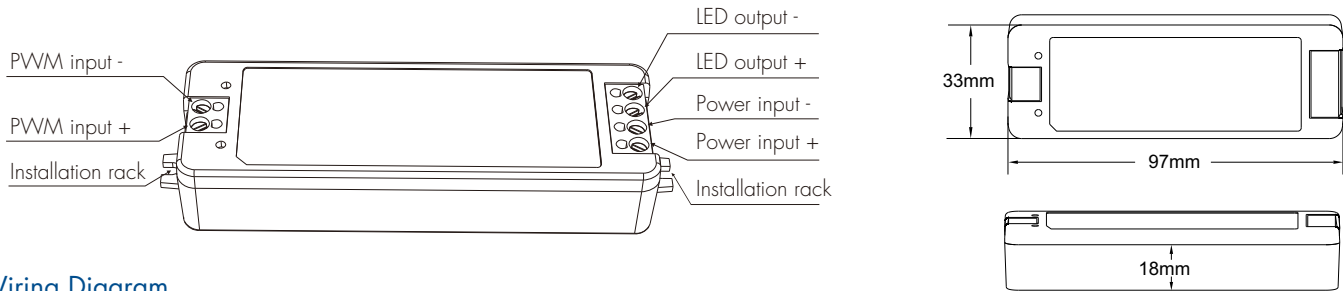


FC CE RoHS emc LVD

## Technical Parameters

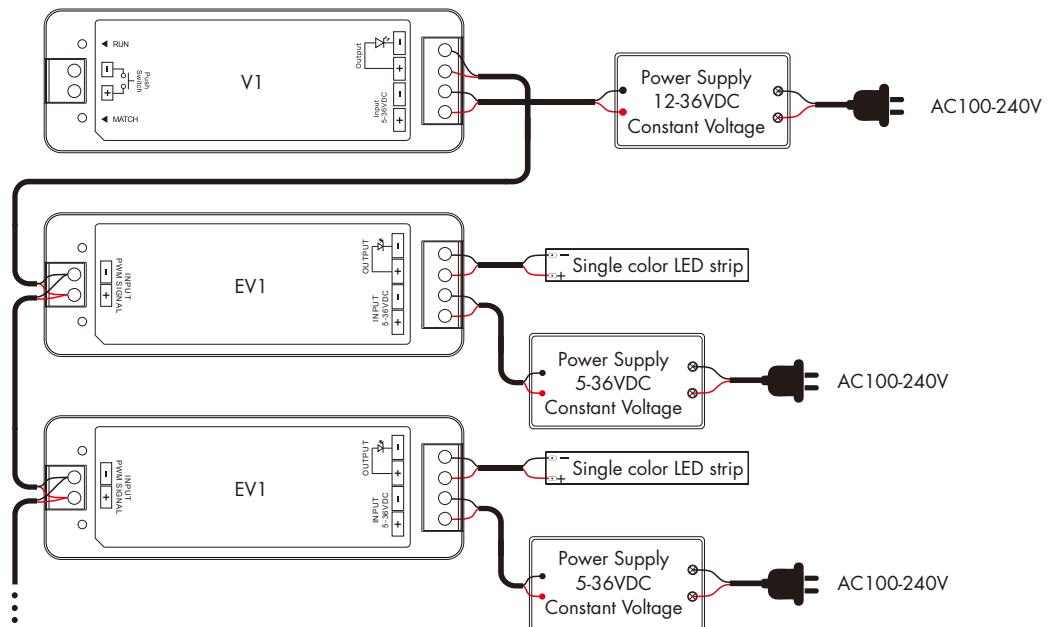
Input and Output		Environment		Safety and EMC	
Input voltage	5-36VDC	Operation temperature	Ta: -30°C ~ +55°C	EMC standard (EMC)	EN IEC 55015:2019+A11:2020 EN 61547:2009 EN IEC 61000-3-2:2019+A11:2021 EN 61000-3-3:2013+A11:2019
Input current	8.5A	Case temperature(Max.)	Tc: +85°C	Safety standard(LVD)	EN 61347-1:2015+A1:2021 EN 61347-2-13:2014+A1:2017
Input signal	PWM	IP rating	IP20	Certification	CE,EMC,LVD
Output voltage	5-36VDC	<b>Package</b>		<b>Warranty and Protection</b>	
Output current	8A	Size	L114 x W38 x H26mm	Warranty	5 years
Output power	40-288W	Gross weight	0.053kg	Protection	Reverse polarity, Short circuit
Output type	Constant voltage				

## Mechanical Structures and Installations

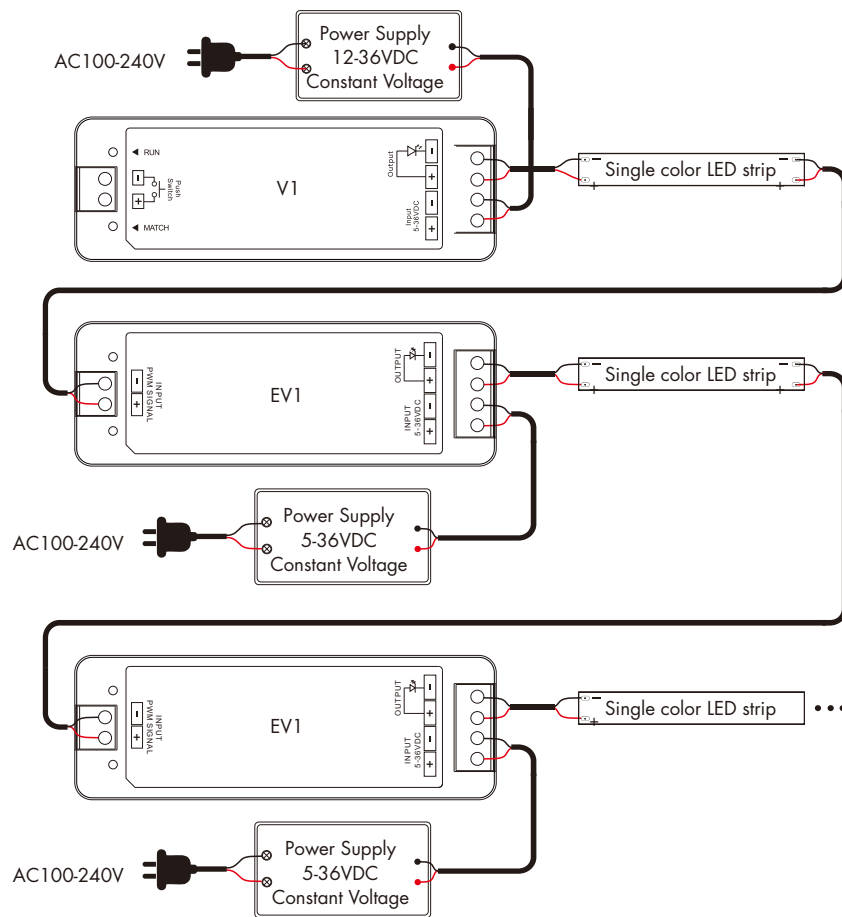


## Wiring Diagram

- Parallel connection



• Series connection



### Malfunctions analysis & troubleshooting

Malfunctions	Causes	Troubleshooting
No light	<ol style="list-style-type: none"> <li>1. No power.</li> <li>2. Wrong connection or insecure.</li> </ol>	<ol style="list-style-type: none"> <li>1. Check the power.</li> <li>2. Check the connection.</li> </ol>
Uneven intensity between front and rear, with voltage drop	<ol style="list-style-type: none"> <li>1. Output cable is too long.</li> <li>2. Wire diameter is too small.</li> <li>3. Overload beyond power supply capability.</li> <li>4. Overload beyond controller capability.</li> </ol>	<ol style="list-style-type: none"> <li>1. Reduce cable or loop supply.</li> <li>2. Change wider wire.</li> <li>3. Replace higher power supply.</li> <li>4. Add power repeater.</li> </ol>

### Safety & Warnings

1. The product shall be installed and serviced by a qualified person.
2. This product is non-waterproof. Please avoid the sun and rain.
3. Good heat dissipation will prolong the working life of the controller, please ensure good ventilation.
4. Please check if the output voltage of any power supplies used comply with the working voltage of the product.
5. Ensure all wire connections and polarities are correct and secure before applying power to avoid any damages to the LED lights.
6. If a fault occurs please return the product to your supplier. Do not attempt to fix this product by yourself.