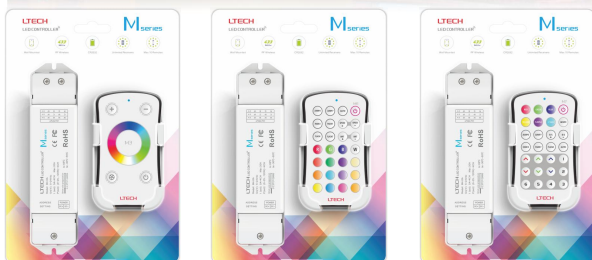


M series LED controller

M3/M6/M7

RF WIRELESS



Wall-mounted

FC CE RoHS (warranty 5 years)

M series LED controller is compatible with 8 kinds remotes of different function (patent technology) . which means using one receiver could experience single color/CT dimming, RGB/RGBW adjustment to meet customers' different lighting requirements. With the RF remote, speed/brightness adjustment, customise color and lighting changing modes selection could all be achieved.

1. Parameter:

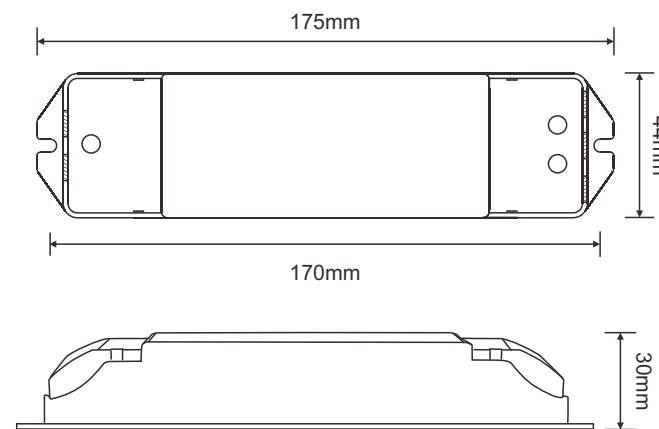
Remote(RGB):

Model:	M3/M6/M7
Working Voltage:	3Vdc (battery CR2032)
Working Frequency:	433.92MHz
Remote Distance:	30m
Working Temp.:	-30°C~55°C
Weight(N.W.):	42g

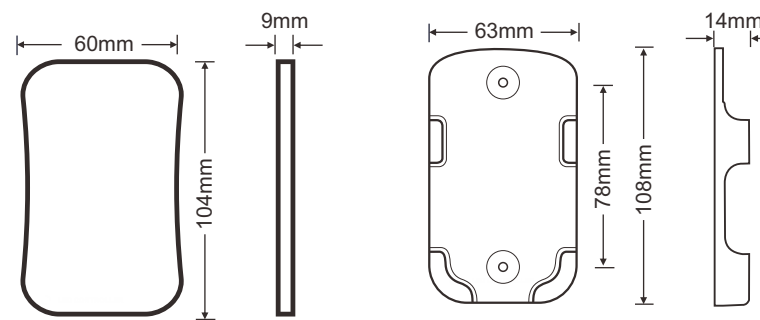
CV Receiver (RGB):

Model:	M4-5A
Input Voltage:	12~24Vdc
Current Load:	6A×3CH Max 18A
Max Output Power:	(0...72W~144W)×3CH
Protection:	Short circuit/Over-load
Working Temp.:	-30°C~55°C
Weight(N.W.):	125g

2. Product Size:



Receiver



Remote

Remote-holder

3. The Learning ID Method of Remote Control:

Remote control has been matched with the receiver before leaving factory, if deleted accidentally, you can learn ID as follow.

Learning ID: Short press ID learning button on the M4-5A receiver, the running light is on, then press any key on the M3/M6/M7 remote control, the running light flashes several times, activated.

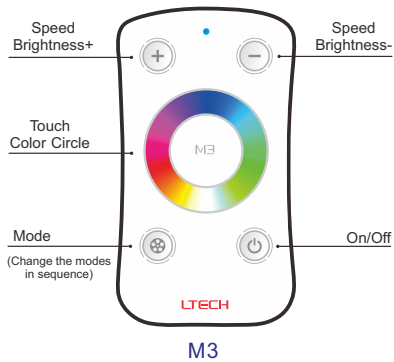
Cancel ID: Long press ID learning button on the M4-5A receiver for 5 seconds.

Attn: One receiver can be matched with max 10 same or different kinds remote control.

4. Operating Instruction for Receiver:

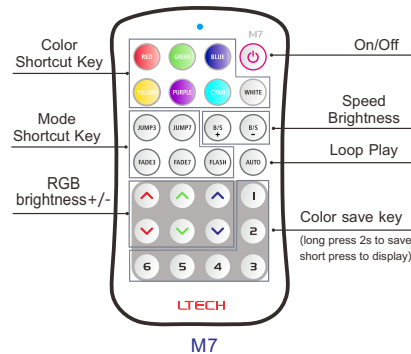
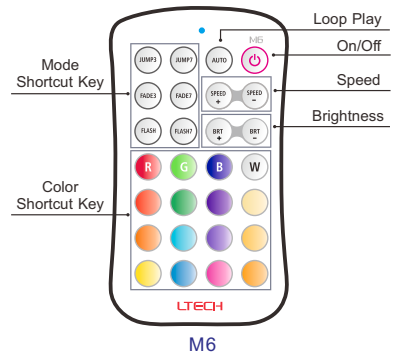


5. Operating Instruction for Remote Control:



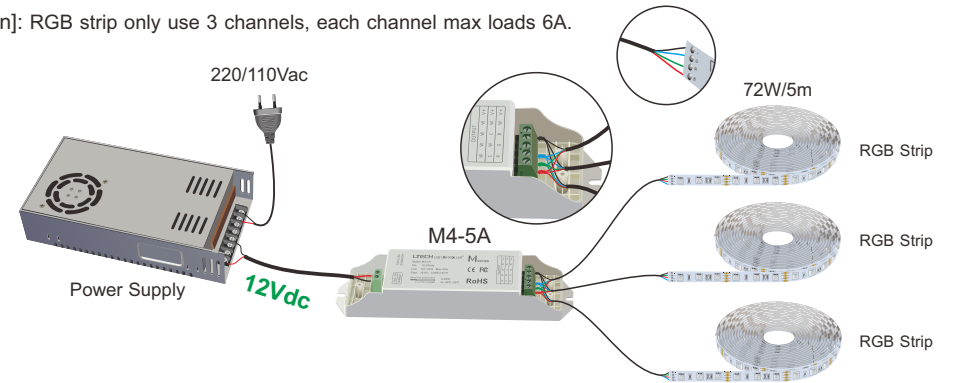
M3 Changing Mode Table

No.	Mode	No.	Mode
1	Static Red	7	Static White
2	Static Green	8	RGB Skipping
3	Static Blue	9	7 Colors Skipping
4	Static Yellow	10	RGB Color Smooth
5	Static Purple	11	Full-color Smooth
6	Static Cyan		



6. Wiring Diagram:

E.g. 1: Connected 12V lamp, loads 0~216W (6A×3CH×12V).
[Attn]: RGB strip only use 3 channels, each channel max loads 6A.



E.g. 2: Connected 24V lamp, loads 0~432W (6A×3CH×24V).
[Attn]: RGB strip only use 3 channels, each channel max loads 6A.

