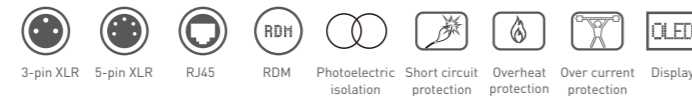
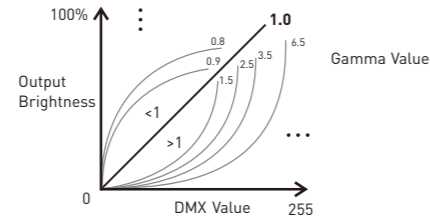


Product introduction

1. Designed for Hi-power multiple channels application, 32 channels output, and Max. 3A current per channel, up to 2304W output power.
2. Easy operation with OLED screen and touch buttons.
3. 4 kinds of control modes available: DIM, CT, RGB, RGBW.
4. 3-pin XLR, 5-pin XLR, RJ45 and green terminal DMX interface with photoelectric isolation, improve signal transmission efficiency and anti-interference ability, the green terminal also has signal amplifier function.
5. With RDM remote management protocol, the operations can be completed via the RDM master console, such as parameters browsing & settings, DMX address settings, equipment recognition, etc.
6. With firmware upgrade function.
7. With short circuit, over current and overheat protection, as well as warning function when a fault occurs.
8. With power-on state management and fast self-testing function.
9. 16bit (65536 levels) / 8bit (256 levels) grey level available.
10. Available in standard, linear, LOG or custom 0.1-9.9 dimming curve.

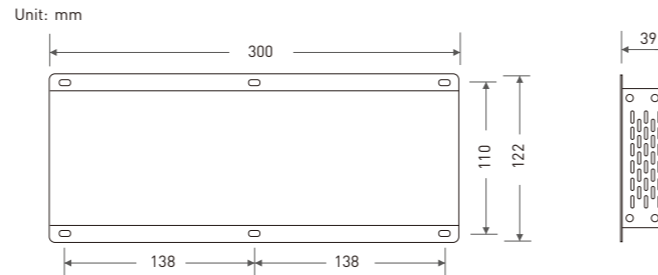


Technical specs

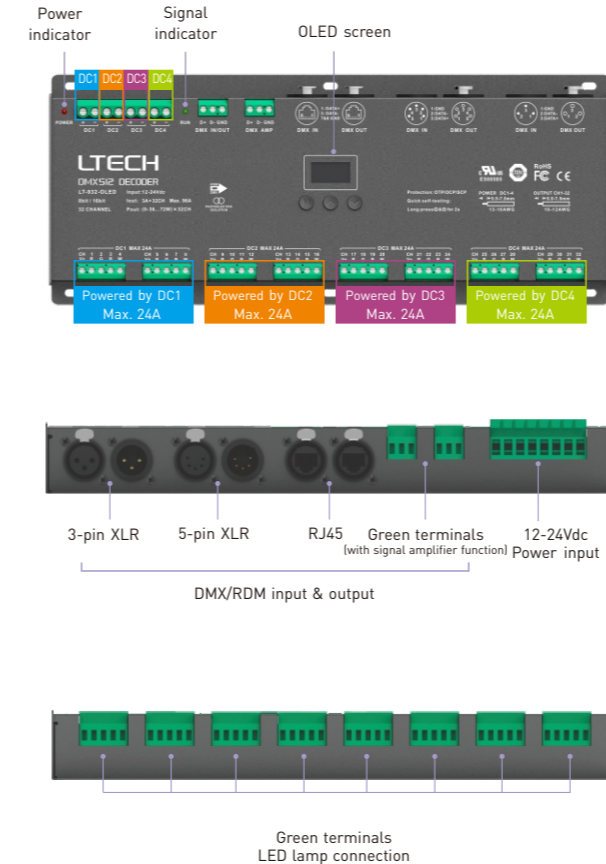
Model : LT-932-OLED
 Input signal : DMX512/RDM
 Input voltage : 12-24Vdc
 Current load : 3A × 32CH Max. 96A
 Output power : [0-36W...72W] × 32CH Max. 2304W
 DMX interfaces : 3-pin XLR, 5-pin XLR, RJ45, Green terminal
 Control modes : DIM/CT/RGB/RGBW
 Dimming curves : 0.1-9.9, standard, linear, LOG
 Grey level : 8bit (256 levels) / 16bit (65536 levels)
 Photoelectric isolation : Yes
 Protection : Short circuit / Overheat / Over current protection, recover automatically.
 Working temperature : -30°C~65°C
 Dimensions : 300×122×39mm(L×W×H)
 Package size : 313×127×41mm(L×W×H)
 Weight (G.W.) : 1180g



Product size



Main component description



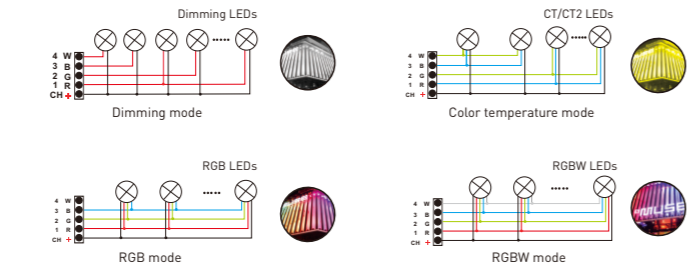
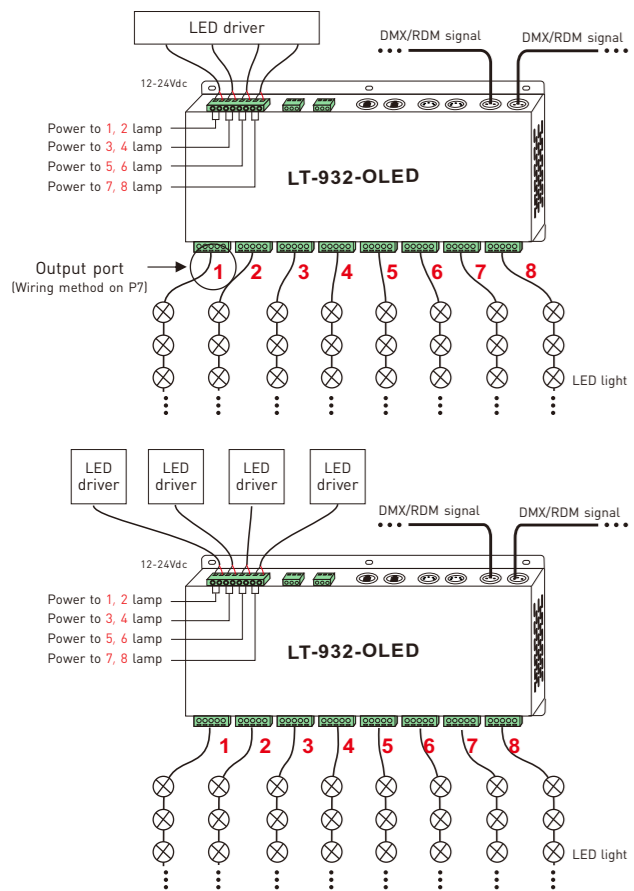
OLED screen interface

1. DMX address settings
 DMX: 001 Hz: High Mode: RGBW 8bit Curve: Standard Dim: Smo TOOL&v
 Main page
 Press "M" key, switch entries. Long press "M" key, back to main page. Press "▲" or "▼" key, parameter adjustment. Exit: back to previous page.
 Press "▲" or "▼" key to set DMX address. Range: 001-512
2. PWM frequency
 DMX: 001 Hz: High Mode: RGBW 8bit Curve: Standard Dim: Smo TOOL&v
 Option : High Mid (middle) Low
 Press "▲" or "▼" key to choose. No flicker in video camera.
 Smooth and exquisite, human eye is comfortable. * It is recommended to use standard.
3. Modes
 DMX: 001 Hz: High Mode: RGBW 8bit Curve: Standard Dim: Smo TOOL&v
 Option : DIM / CT / CT2 / RGB / RGBW
 Press "▲" or "▼" key to choose.
4. Grey scale
 DMX: 001 Hz: High Mode: RGBW 8bit Curve: Standard Dim: Smo TOOL&v
 Option : 8bit 16bit (choose it if the master controller supports this function)
 Press "▲" or "▼" key to choose.
5. Dimming curves
 DMX: 001 Hz: High Mode: RGBW 8bit Curve: Standard Dim: Smo TOOL&v
 Option : Standard Linear LOG 0.1-9.9
 It is recommended to use standard, 0.1-9.9 is for special requirements.
 Press "▲" or "▼" key to choose.

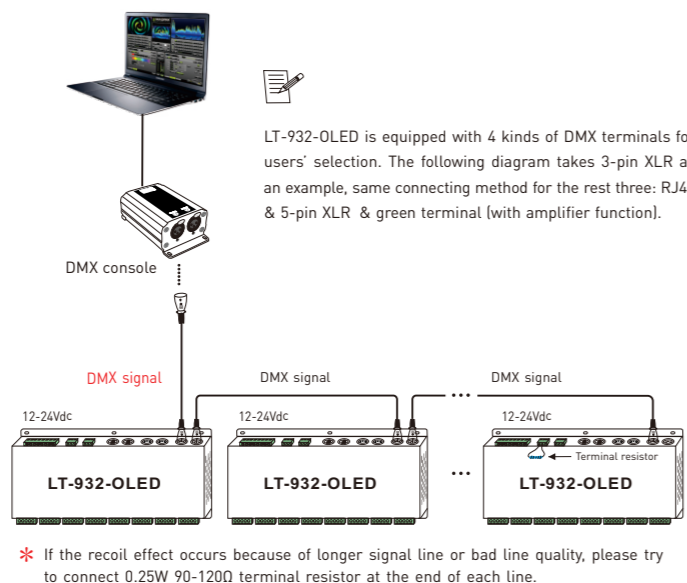
6. Enhance Dimming
 DMX: 001 Hz: High Mode: RGBW 8bit Curve: Standard Dim: Smo TOOL&v
 Option : Std (standard) Smo (smooth)
 * It is recommended to use standard.
 Smo: This option with smooth processing, realizes flicker-free dimming and smooth dynamic effects.
 Press "▲" or "▼" key to choose.
7. Tool
 DMX: 001 Hz: High Mode: RGBW 8bit Curve: Standard Dim: Smo TOOL&v
 Screen: ON+Addr Contrast: 40% Beep: ON TEST&v EXIT&v
 Press "▲" or "▼" key to enter submenu.
 Press "▲" or "▼" key to enter submenu of test.
 CH01: 255 CH02: 255 CH03: 255 [▲&v] CH04: 255 EXIT&v
 Brightness settings (range: 0-255) Press "▲" or "▼" to next page Press "v" to exit
 ALL: 255 [▲&v] EXIT&v
 Change all value simultaneously (on the last page)
 Screen: ON+Addr Screensaver open and display address if undo for 2 minutes.
 Screen: ON+black Screensaver open and black if undo for 2 minutes.
 DMX: 001 Hz: High Mode: RGBW 8bit Curve: Standard Dim: Smo TOOL&v
 Screen: OFF Screensaver not enable.
 * Fast self-testing function: press "▲" or "▼" keys simultaneously for 2-3 seconds under any page, decoder will enter self-testing function.

Wiring diagram

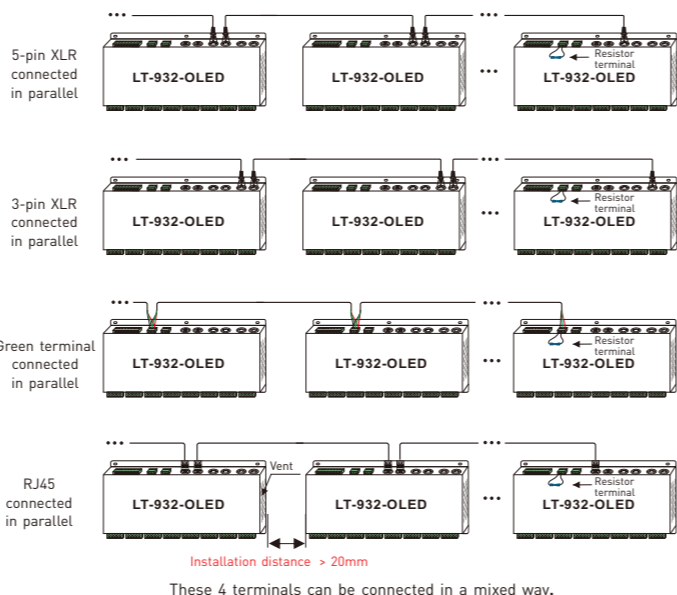
1. Connecting LED lights:



2. DMX console connection:

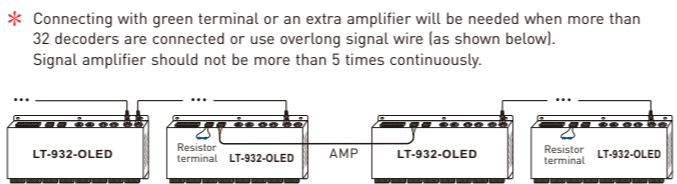


3. The connection diagram of 4 kinds of DMX/RDM terminals:



Installation distance > 20mm
 These 4 terminals can be connected in a mixed way.
 * Installation attentions : please reserve enough ventilation distance between decoders (>20mm), be sure not to block the vent, or it will affect lifetime of decoder for poor heat dissipation.

4. The connection diagram of AMP signal amplifier terminal:



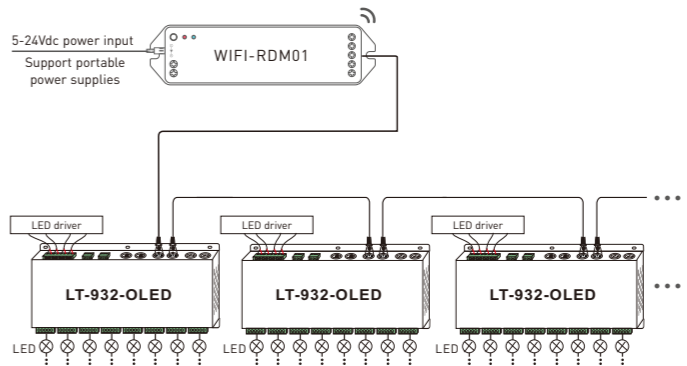
Address setting table

Mode	DIM	CT/CT2	RGB	RGBW	
Address Quantity	8	16	24	32	
Resolution	8bit	8bit	8bit	8bit	
Channel	1	001	001	001	001
	2	001	002	002	002
	3	001	001	003	003
	4	001	002	003	004
	5	002	003	004	005
	6	002	004	005	006
	7	002	003	006	007
	8	002	004	006	008
	9	003	005	007	009
	10	003	006	008	010
	11	003	005	009	011
	12	003	006	009	012
	13	004	007	010	013
	14	004	008	011	014
	15	004	007	012	015
	16	004	008	012	016
	17	005	009	013	017
	18	005	010	014	018
	19	005	009	015	019
	20	005	010	015	020
	21	006	011	016	021
	22	006	012	017	022
	23	006	011	018	023
	24	006	012	018	024
	25	007	013	019	025
	26	007	014	020	026
	27	007	013	021	027
	28	007	014	021	028
	29	008	015	022	029
	30	008	016	023	030
	31	008	015	024	031
	32	008	016	024	032

* When you select CT2, the DMX address represents brightness , color temperature and constant power output respectively.

Work with RDM editor

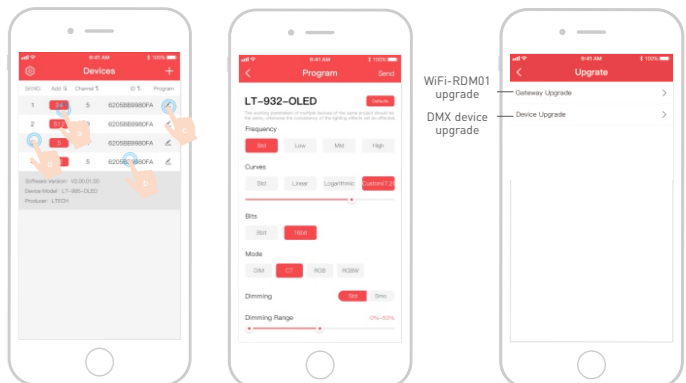
LT-932-OLED can work with LTECH RDM editor (Model: WiFi-RDM01) to realize changing the parameters and firmware upgrade by long-range setting, wiring diagram as below:



RDM editor App interface instructions

Download the App, setting the LT-932-OLED parameters (frequency, bit, curve, modes, dimming range, screensaver, etc.) after well connecting the RDM editor, more details, please check the manual of WiFi-RDM01.

Well installation of products first, then working with WiFi -RDM01 to realize setting parameters and firmware upgrade by App.



a: Click "Add", edit the address in corresponding box.
 b: Click "ID", get more product details.
 c: Click " ", enter edited interface.
 d: Click "No.", issue the recognizing command.

* This manual is subject to changes without further notice.
 Product functions depend on the goods.
 Please feel free to contact our official distributors if you have any question.