

# DMX-TRIG Controller



**FC CE RoHS** [ 5-Year Warranty ]

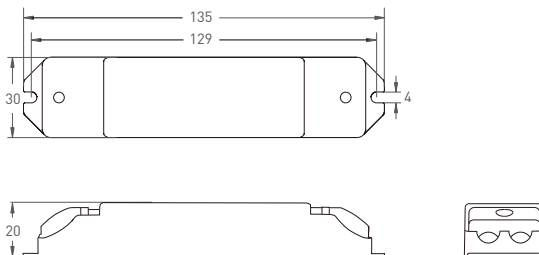
DMX-TRIG is a signal converter for DMX to dry contact. With RDM long range devices management function, it is easy for setting the DMX address. The 15 preset scenes of the WiFi-108, LTSA512 or LTSA1024's dry contact interfaces can be called and used by MS-WF-512 or DMX console.

## 1. Product parameters:

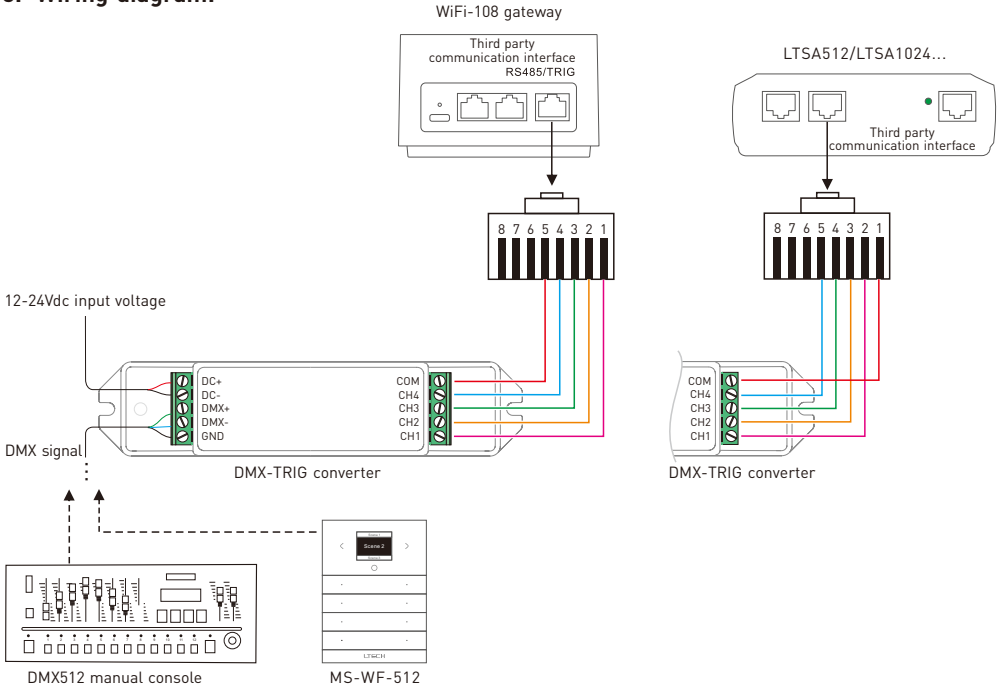
Model:	DMX-TRIG	Working temperature:	-30°C~55°C
Input signal:	DMX512/RDM	Product size(L×W×H×):	135×30×20(mm)
Output voltage:	12- 24Vdc	Package size(L×W×H×):	140×34×23(mm)
Trigger scenes:	15	Weight (G.W.):	80g

## 2. Product size:

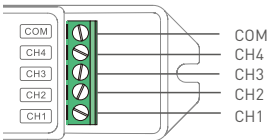
Unit: mm



### 3. Wiring diagram:



### 4. Setting table:



Received DMX data range		CH4	CH3	CH2	CH1	Remark
0	15	OFF	OFF	OFF	OFF	Default status
16	31	OFF	OFF	OFF	ON	Scene 1
32	47	OFF	OFF	ON	OFF	Scene 2
48	63	OFF	OFF	ON	ON	Scene 3
64	79	OFF	ON	OFF	OFF	Scene 4
80	95	OFF	ON	OFF	ON	Scene 5
96	111	OFF	ON	ON	OFF	Scene 6
112	127	OFF	ON	ON	ON	Scene 7
128	143	ON	OFF	OFF	OFF	Scene 8
144	159	ON	OFF	OFF	ON	Scene 9
160	175	ON	OFF	ON	OFF	Scene 10
176	191	ON	OFF	ON	ON	Scene 11
192	207	ON	ON	OFF	OFF	Scene 12
208	223	ON	ON	OFF	ON	Scene 13
224	239	ON	ON	ON	OFF	Scene 14
240	255	ON	ON	ON	ON	Scene 15

\* This manual is subject to changes without further notice.  
 Product functions depend on the goods.  
 Please feel free to contact our official distributors if you have any question.

## Update Log

Version	Updated Time	Update Content	Updated by
A2	2021.03.30	ISO9001 certification icon was deleted on P1; The input voltage was changed from 5-24Vdc into 12-24Vdc on P2.	Xu Shujun