

DIN-DMX-350 CC DMX/RDM DECODER (DIN Rail, Screw Dual-use)



DIN-DMX-350 DIN Rail DMX decoder have 3 digits digital tube to display DMX address, simple and intuitive read and write DMX address, meanwhile have the self-testing pattern function. With the standard RDM remote device management protocol, supports DMX512 signal bi-directional communication, achieves remote management of reading and writing DMX address [DMX master controller must recognize the RDM protocol].

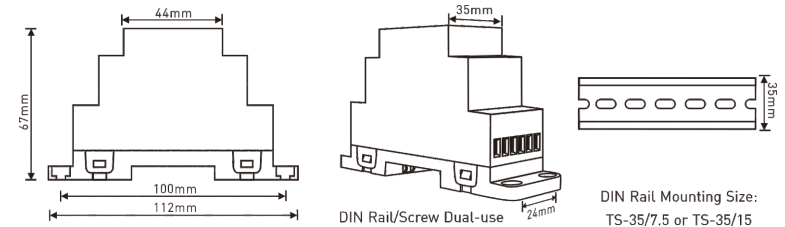
DIN-DMX-350 can work with DMX512 console; realize 0-100% brightness and various changing effects, can control single color, bi-color, RGB LED lights.

1. Product Parameter:

DIN-DMX-350 CC DMX/RDM Decoder:

Input Signal:	DMX512, RDM	DIN Rail Mounting Size:	TS-35/7.5 or TS-35/15
Input Voltage:	12-48Vdc	Protection:	Short circuit / Over current
Output Voltage:	3-46Vdc	Working Temperature:	-30°C-55°C
Max. Load Current:	350mA × 3CH	Dimensions:	L112×W35×H67(mm)
Max. Output Power:	(1.05W-16.1W) × 3CH Max. 48.3W	Package Size:	L114×W37×H70(mm)
Dimming Range:	0-100%	Weight (G.W):	135g
Mounting:	DIN Rail or Screw		

2. Product Size:



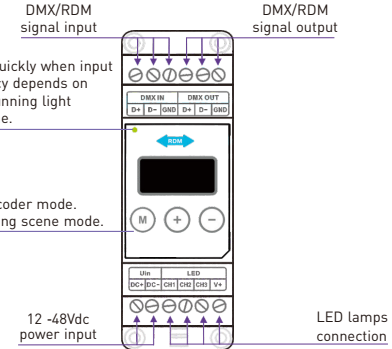
3. Function Key:

Running Light

The running light flashes quickly when input DMX signal. Flash frequency depends on received frame rate. The running light flashes as usual in free time.

M KEY

Short press: enter DMX decoder mode.
Long press: enter self-testing scene mode.



3.1 DMX Decoder Mode.

Address Setting:

In DMX Decoder Mode, first press "+" or "-" key to enter address setting. Changing the DMX initial address when the 3 address value start to flicker. (Range: 001-512)

- ⊕: Short press to add one more address, long press to add quickly.
- ⊖: Short press to subtract one more address, long press to subtract quickly.
- Ⓜ: Short press to quit.



Long press Ⓜ and ⊕ key at the same time, set the brightness output to linearity curve [C-L].



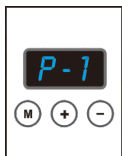
Long press Ⓜ and ⊖ key at the same time, set the brightness output to Gamma curve [C-E]



Long press ⊕ and ⊖ key at the same time, check the present luminosity curve.

3.2 Self-testing Scene Mode.

Long press "M" key to enter self-testing scene mode.



Switch changing modes by pressing + - key.

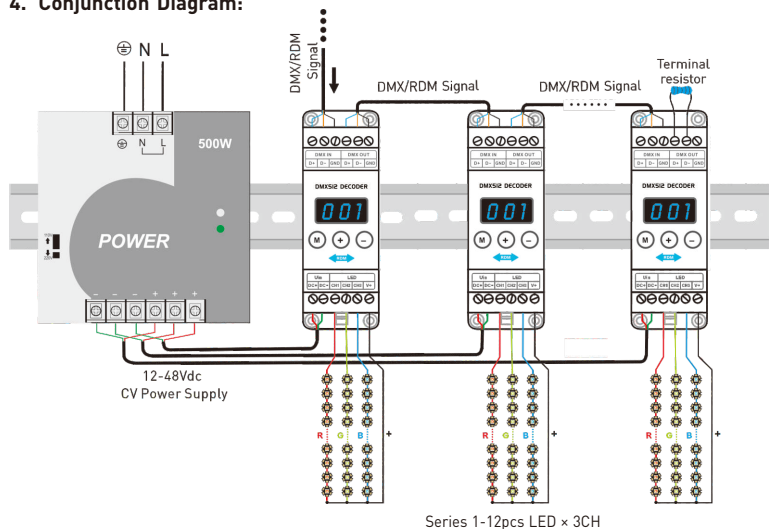
NO.	Digital Tube Display (press +/- to switch)	MODE
1	P-1	Static Red
2	P-2	Static Green
3	P-3	Static Blue
4	P-4	Static Yellow
5	P-5	Static Purple
6	P-6	Static Cyan
7	P-7	Static White
8	P-8	7 Color Jumping
9	P-9	7 Color Smooth

3.3 Restore the Default Parameter: Long press (M) (+) (-) keys at the same time, Restore the default parameter, digital tube display "RES".



Default Parameters: DMX decoder mode, DMX base address is 1, Gamma curve, self-testing in No.1 pattern status.

4. Conjunction Diagram:



- * An amplifier is needed when more than 32 decoders are connected, signal amplification should not be more than 5 times continuously.
- * If the recoil effect occurs because of longer signal line or bad line quality, please try to connect 0.25W 90-120Ω terminal resistor at the end of each line.

5. Attention:

- 5.1 The product shall be installed and serviced by the qualified person.
- 5.2 This product is non-waterproof. Please avoid the sun and rain. When installed outdoors, please ensure it is mounted in a water proof enclosure.
- 5.3 Good heat dissipation will prolong the working life of the controller. Please ensure good ventilation.
- 5.4 Please check if the output voltage of the LED power supplies used comply with the working voltage of the product.
- 5.5 Please ensure that adequate sized cable is used from the controller to the LED lights to carry the current. Please also ensure that the cable is secured tightly in the connector.
- 5.5 Ensure all wire connections and polarities are correct before applying power to avoid any damages to the LED lights.
- 5.6 If a fault occurs, please return the product to your supplier. Do not attempt to fix this product by yourself.

6. Warranty Agreement:

- 6.1 We provide lifelong technical assistance with this product:
 - A 5-year warranty is given from the date of purchase. The warranty is for free repair or replacement if cover manufacturing faults only.
 - For faults beyond the 5-year warranty, we reserve the right to charge for time and parts.
- 6.2 Warranty exclusions below:
 - Any man-made damages caused from improper operation, or connecting to excess voltage and overloading.
 - The product appears to have excessive physical damage.
 - Damage due to natural disasters and force majeure.
 - Warranty label, fragile label and unique barcode label have been damaged.
 - The product has been replaced by a brand new product.
- 6.3 Repair or replacement as provided under this warranty is the exclusive remedy to the customer. We shall not be liable for any incidental or consequential damages for breach of any stipulation in this warranty.
- 6.4 Any amendment or adjustment to this warranty must be approved in writing by our company only.

★This manual only applies to this model. We reserve the right to make changes without prior notice.