

DIM-S2L8V-0

Product Feature

- Support 3-in-1 dimming function(0-10V /1-10V active signal, Adjustable resistance, PWM)
- Support dimming mode selection
- Support the short circuit, over current protection and alarm function
- Logarithmic dimming curve
- Built-in CCT adjust mode, the user can adjust color temperature without changing the output power
- For adjusting the brightness/ color temperature of LED strip

Technical Parameters

Input Voltage	12-24V
Output Voltage	12-24V
Output Current	8A*2CH(For brightness mode) Totally 8A (For CCT mode)
Over current protection	The red indicator light is on, recovers automatically after fault removed
Short circuit protection	The red indicator light is on, recovers automatically after fault removed
Dimming Mode	0-10V /1-10V / active signal Adjustable resistance PWM
Current consumption of 0-10/1-10V signal	0.25mA
Dimension	167*51*23mm(L*W*H)
G.W.	100g



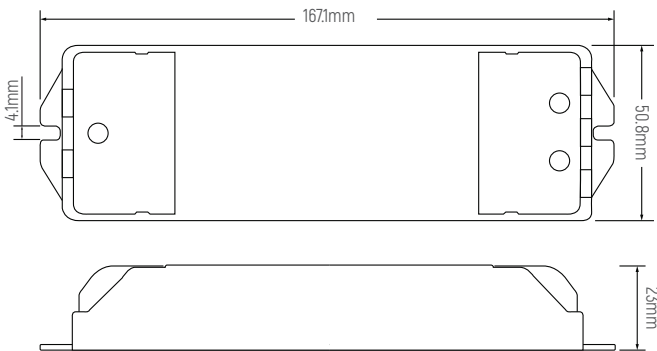
Application



Wiring Diagram



Dimension(mm)



Dimming Mode Selection Table

DIP1	DIP2	Dimming Mode	Discription
-	-	Brightness/1-10V	1-10V signal,adjust the brightness of 2 channels individually
ON	-	Brightness/0-10V	0-10V signal,adjust the brightness of 2 channels individually
-	ON	CCT/1-10V	1-10V signal,sign 1 for color temperature,sign 2 for brightness
ON	ON	CCT/0-10V	0-10V signal, sign 1 for color temperature,sign 2 for brightness

※ The contents of this manual are updated without prior notice. If the function of the product you are using is inconsistent with the instructions, the function of the product shall prevail.Please contact us if you have any questions.

DIM-S2L8V-0

产品特点

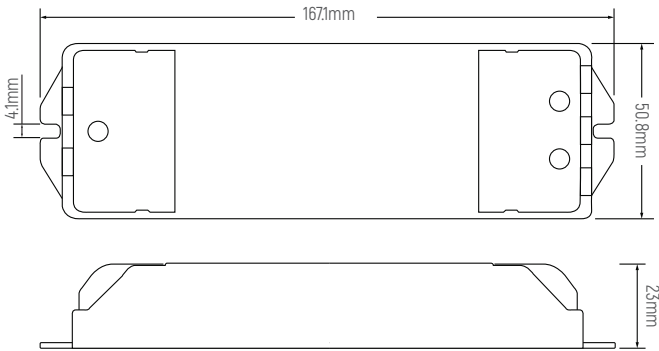
- 支持3合一模拟调光信号(有源信号、可调电阻、PWM)
- 多种调光模式可选
- 对数调光曲线
- 内置色温调节模式,可以在恒定功率下,调节色温,简化了色温调节的控制方法
- 支持短路,过流保护及报警指示功能
- 适用于单色LED灯带或色温可调灯条



技术参数

输入电压范围	12-24V
输出电压	12-24V
输出电流	8Ax2CH
过流保护	红色指示灯亮, 移除故障后自恢复
短路保护	红色指示灯亮, 移除故障后自恢复
调光方式	0-10V/1-10V 有源信号可调电阻PWM
信号消耗电流	0.25mA
尺寸	167*51*23mm[长*宽*高]
重量	100g

尺寸(mm)



应用



应用接线图



调光方式选择表

DIP1	DIP2	调光方式	描述
-	-	1-10V	支持1-10V信号, 两路输出分别调亮度
ON	-	0-10V	支持0-10V信号, 两路输出分别调亮度
-	ON	CCT(色温调节模式) /1-10V	1-10V信号, Sign1调色温, Sign2调亮度
ON	ON	CCT(色温调节模式) /0-10V	0-10V信号, Sign1调色温, Sign2调亮度

※ 本说明书内容如有更新, 恕不另行通知。若您使用的产品功能与说明书不一致时, 请以产品为准。如有疑问请与我们联系。