

## P7X Multi zone touch panel



### Technical Specs:

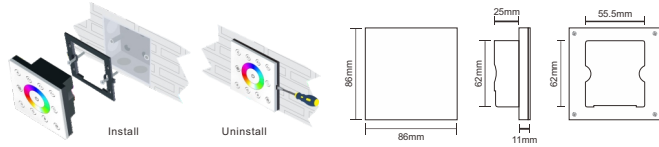
#### P7X: RGB Panel

- Input Voltage: AC85V-265V
- Output Signal: DMX512+2,4G
- Dimming Range: 5%-100%
- Working Temperature: -20°C-55°C
- Dimensions: L86×W86×H36(mm)
- Weight(N.W): 230g

#### Receiver ( R4-CC-2.4G )

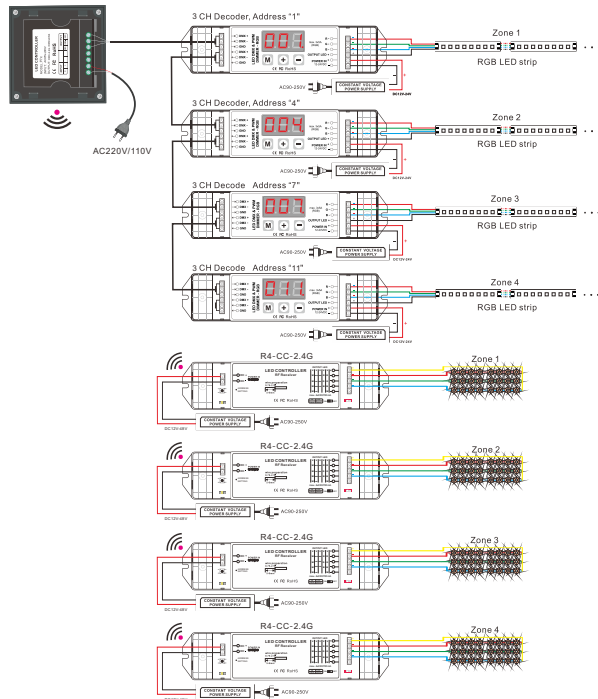
- Working Voltage: DC12V-DC48V
- Output Current: 350/700mA×4CH
- Driving LEDs/CH: 1-12pcs 1W(3W) LED
- Receiver Distance: 30m
- Working Temp: -30°C-55°C
- Dimensions: L176×W46×H30(mm)
- Weight(N.W.): 137g

### Installation:



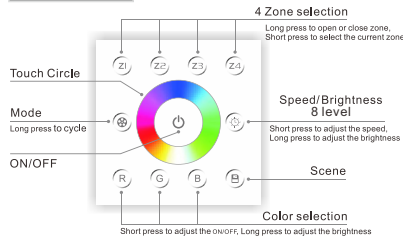
- 1 -

### Wiring Diagram:



- 3 -

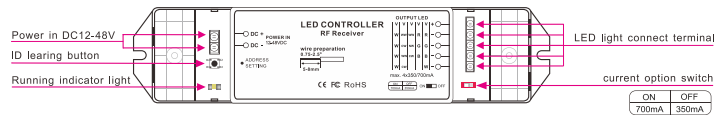
### Key Functions:



- ※ Long press to turn on/off the buzzer.
- ※ Short press to call scene, long press to save scene.
- ※ RGB MODE:

NO.	MODE	NO.	MODE
1	RGB CHANGE	2	COLOR CHANGE
3	WHITE FLASH	4	RGB FADE
5	COLOR FADE	6	RG FADE
7	RB FADE	8	GB FADE
9	WHITE FADE	10	ALL MODE CYCLE

### Receiver instruction:



### The matching method between panel and receiver:

Learning ID: Press ID learning button on the receiver for 3 seconds. when the indicator light is on, press any zone key on the touch panel, the indicator light flashes (the frequency is 1Hz), activated.  
 Cancel ID: Press ID learning button on the receiver for 5 seconds. When the indicator light flashed quickly (the frequency is 5Hz), and all learnt IDs have been canceled.

Notice: The receiver can memorize up to 8 IDs. When receiving control information from any learnt ID, it can be controlled. If the memorized ID up to 8, long press learning key for 3 seconds to get out of the learning status, cancel the ID and reset. The receiver can not record the different zone on the same panel, if you want to control the other zone with the same panel, you need to cancel the ID and reset.

- 2 -

### After-Sales:

From the day you purchase our products within 3 years, if being used properly in accordance with the instruction, and quality problems occur, we provide free repair or replacement services except the following cases:

- 1.Any defects caused by wrong operations.
- 2.Any damages caused by inappropriate power supply or abnormal voltage.
- 3.Any damages caused by unauthorized removal, maintenance, modifying circuit, incorrect connections and replacing chips.
- 4.Any damages due to transportation, breaking, flooded water after the purchase.
- 5.Any damages caused by earthquake, fire, flood, lightning strike etc force majeure of natural disasters.
- 6.Any damages caused by negligence, inappropriate storing at high temperature and humidity environment or near harmful chemicals.
- 7.Product has been updated.

### Kindly Reminder:

#### 1.Power Source Selection

Power source must be DC constant voltage type of power supply. Due to the efficient output in some power supplies are only 80% of total, so please select at least 20% higher output power supply than the consumption of LED lights.

- 4 -