

## P3X Single zone touch panel



### Technical Specs:

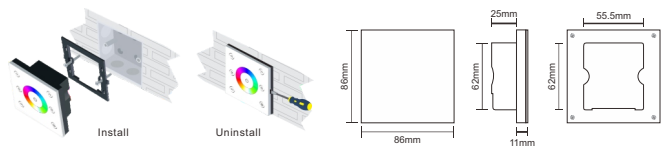
#### P3X: RGB Panel

- Input Voltage: AC85V-265V
- Output Signal: DMX512+2.4G Wireless
- DMX512 Socket: Wiring Terminal
- Working Temperature: -20°C~55°C
- Dimension: L86×W86×H36(mm)
- Weight (G.W) : 230g

#### Receiver ( R4-CC-2.4G )

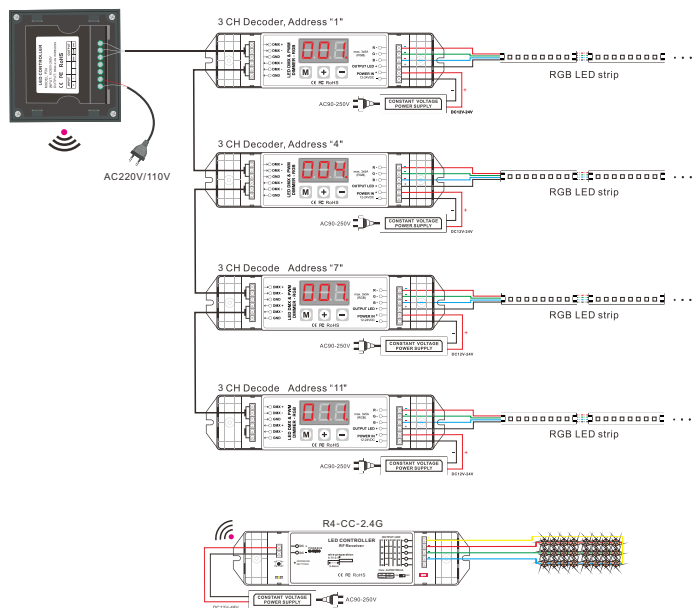
- Working Voltage: DC12V-DC48V
- Output Current: 350/700mA×4CH
- Driving LEDs/CH: 1~12pcs 1W(3W) LED
- Receiver Distance: 30M
- Working Temp: -20°C~55°C
- Dimensions: L176×W46×H30(mm)
- Weight(N.W.): 137g

### Installation:



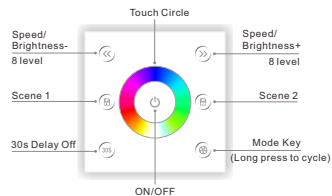
- 1 -

### Wiring Diagram:



- 3 -

### Key Functions:

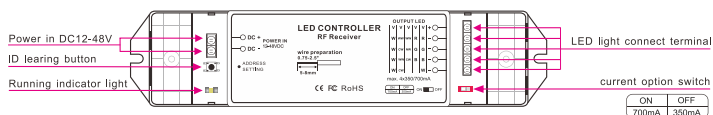


- ※ Long press **ON/OFF** to turn on/off the buzzer.
- ※ Short press **Scene 1** to call scene, long press **Scene 1** to save scene.
- ※ Hold the **Speed/Brightness-** keys for 2 second, the controller will restore default and restart automatically.
- ※ Short press **Speed/Brightness-** key under static to adjustable brightness; short press **Speed/Brightness+** key under dynamic to adjustable speed, long press the brightness.

#### ※ RGB MODE:

NO.	MODE	NO.	MODE
1	RGB CHANGE	2	COLOR CHANGE
3	WHITE FLASH	4	RGB FADE
5	COLOR FADE	6	RG FADE
7	RB FADE	8	GB FADE
9	WHITE FADE	10	ALL MODE CYCLE

### Receiver instruction:



### The matching method between panel and receiver :

**learning ID:** Press ID learning button on the receiver for 3 seconds, when the indicator light is on, press any zone key on the touch panel, the indicator light flashes (the frequency is 1Hz), activated.  
**Cancel ID:** Press ID learning button on the receiver for 5 seconds. When the indicator light flashed quickly (the frequency is 5Hz), and all learnt IDs have been canceled.

**Notice:** The receiver can memorize up to 8 IDs. When receiving control information from any learnt ID, it can be controlled. If the memorized ID up to 8, long press learning key for 3 seconds to get out of the learning status, cancel the ID and reset.

- 2 -

### After-Sales:

From the day you purchase our products within 3 years, if being used properly in accordance with the instruction, and quality problems occur, we provide free repair or replacement services except the following cases:

- 1.Any defects caused by wrong operations.
- 2.Any damages caused by inappropriate power supply or abnormal voltage.
- 3.Any damages caused by unauthorized removal, maintenance, modifying circuit, incorrect connections and replacing chips.
- 4.Any damages due to transportation, breaking, flooded water after the purchase.
- 5.Any damages caused by earthquake, fire, flood, lightning strike etc force majeure of natural disasters.
- 6.Any damages caused by negligence, inappropriate storing at high temperature and humidity environment or near harmful chemicals.
- 7.Product has been updated.

### Kindly Reminder:

#### 1.Power Source Selection

Power source must be DC constant voltage type of power supply. Due to the efficient output in some power supplies are only 80% of total, so please select at least 20% higher output power supply than the consumption of LED lights.

- 4 -