

- 6. Any damages caused by negligence, inappropriate storing at high temperature and humidity environment or near harmful chemicals.
- 7. Product has been updated.

**8. Kindly Reminder**

**Power Source Selection:**  
Power source must be DC constant voltage type of power supply. Due to the efficient output in some power supplies are only 80% of total, so please select at least 20% higher output power supply than the consumption of LED lights.

**2CH LED PWM REPEATER DW(Dynamic White)  
User Manual**



(Please read through this manual carefully before use)

**1. Brief Introduction**

This LED Power Repeater is suitable for the power expansion of all our company's power-output controller models. It accepts PWM control, unlimited quantity of power repeater to be connected theoretically. Also, the power repeater of constant voltage model and constant current model could be connected freely, suitable for synchronized controlling on different LED lamps.

**2. Specifications**

Model	2CH LED PWM REPEATER DW
Input voltage	DC5V-DC24V
Max Load Current	8A/CH×2
Output signal	Constant voltage PWM
Max output power	80W(5V)192W(12V)384W(24V)
Product Dimension	L176×W46×H30(mm)
Package Size	L180×W50×H30(mm)
Gross Weight	135g

**3. Basic Features**

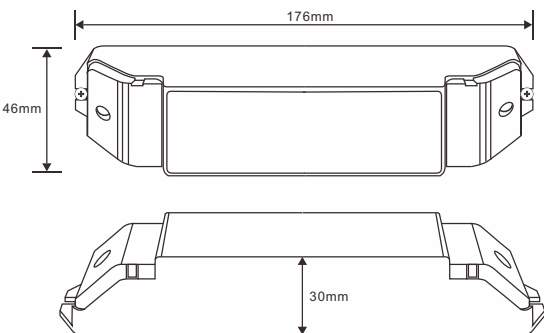
- 1. Common anode input and output.
- 2. Sustain high frequency common anode PWM input signal.

- 3. Work with LED controller, DMX512 decoder, LED dimmer for synchronous control, to fulfill abundant color changings.
- 4. Over current protection and short circuit protection.
- 5. 3000V optoelectronic isolation.

**4. Safety warnings**

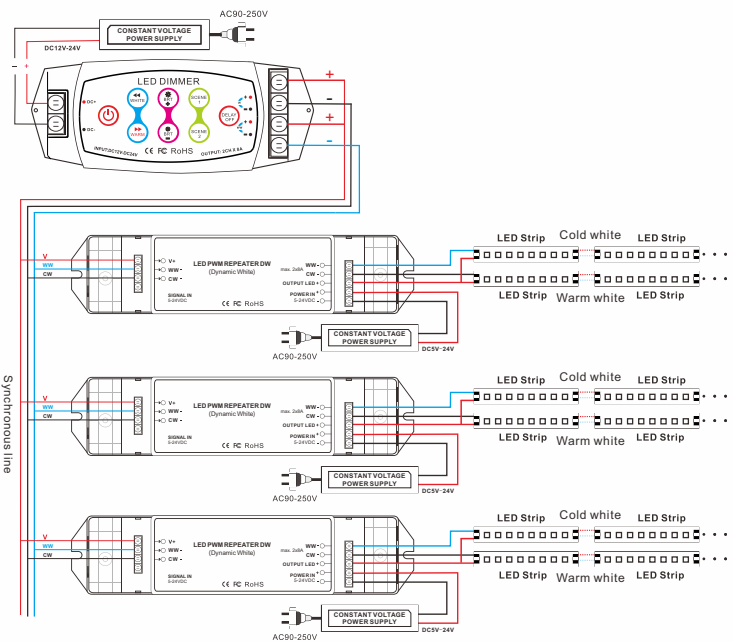
Please don't install this controller in lightening, intense magnetic and high-voltage fields.  
 1. To reduce the risk of component damage and fire caused by short circuit, make sure correct connection  
 2. Always be sure to mount this unit in an area that will allow proper ventilation to ensure a fitting temperature.  
 3. Check if the voltage and power adapter suit the controller (please select DC5-24V power supply with constant voltage)  
 4. Don't connect cables with power on; make sure a correct connection and no short circuit checked with instrument before power on.  
 5. Please don't open controller cover and operate if problems occur.  
 The manual is only suitable for this model; any update is subject to change without prior notice.

**5. Dimensions**



**6. Conjunction Diagram**

It can connect with LED power repeater to extend power.



**7. After-Sales**

From the day you purchase our products within 3 years, if being used properly in accordance with the instruction, and quality problems occur, we provide free repair or replacement services except the following cases:

- 1. Any defects caused by wrong operations.
- 2. Any damages caused by inappropriate power supply or abnormal voltage.
- 3. Any damages caused by unauthorized removal, maintenance, modifying circuit, incorrect connections and replacing chips.
- 4. Any damages due to transportation, breaking, flooded water after the purchase.
- 5. Any damages caused by earthquake, fire, flood, lightning strike etc force majeure or natural disasters.