

8. System Diagram



9. Exception Handles

Malfunction	Reasons	Solutions
No signal received	not power on	check the power wiring
	wire the power + - correct or not	correct it
	Choose the correct frequency or not	Choose the correct frequency
No signal emit	Set the emitter mode or not	Set the emitter mode
Not enough transmit distance	Set the transmit power or not	Set the transmit power

10. After Sales

From the day you purchase our products within 3 years, if being used properly in accordance with the instruction, and quality problems occur, we provide free repair or replacement services except the following cases:

- 1.Any defects caused by wrong operations.
- 2.Any damages caused by inappropriate power supply or abnormal voltage.
- 3.Any damages caused by unauthorized removal, maintenance, modifying circuit, incorrect connections and replacing chips.
- 4.Any damages due to transportation, breaking, flooded water after the purchase.
- 5.Any damages caused by earthquake, fire, flood, lightning strike etc force majeure of natural disasters.
- 6.Any damages caused by negligence, inappropriate storing at high temperature and humidity environment or near harmful chemicals.

DMX512 Wireless Transceiver User Manual



(Please read through this manual carefully before use)

1. Brief Introduction

Welcome to use DMX512 wireless transceiver. It is a powerful DMX512 wireless transceiver, which transmits the standard DMX512 protocol in the form of wireless transmission, replacing the long-time used cable transmission, no time delay in the process of data transmission, real-time and reliable, using 2.4 G global open ISM frequency. It can be one emitter and one receiver, or several receivers (support point to point, point to multipoint), one emitter configure several receivers, as long as the receiver and emitter set the same frequency. It is widely adapts the DMX512 controller manufactured by various suppliers. Total of 126 channels, it can be used in the same place individually of 126 groups of wireless network and none mutual interference.

2. Specifications

Model	DMX512 wireless transceiver
Input Voltage	DC5V-DC36V
Transmission Signal	DMX512
Operating Frequency	2.4GHZ ISM 126 scale frequency
Transmitting Power	20dBm
Receive Sensitivity	-96dBm
Distance	350meters(depends on the weather and environment conditions)
Working Temperature	-20°C ~ 55°C
Product Dimension	L176×W46×H30(mm)
Weight(G.W)	155g

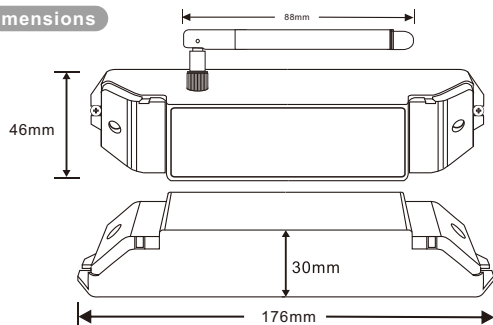
3. Basic Features

1. Adapts 2.4 G global open ISM frequency, license free, high efficient GFSK modulation.
2. Adapts to the international standard DMX512 protocol.
3. One emitter configure several receiver, as long as the receiver and emitter set the same frequency.
4. Total of 126 channels, it can be used in the same place individually of 126 groups of wireless network and none mutual interference.
5. There are 4 levels of the transmitted power. At the max transmitted power(20dBm), Visual communication distance is upto 350 meters.
6. It has a self-test mode for the situation when the wireless link quality test or engineering installation debugging is needed.
7. If further distance is needed, it can be used as relay Setting, relay once or many times in order to achieve the required distance.
8. Multi-usage, can be set as a receiver or emitter, convenient to use.
9. Wrong wiring protection at signal input port.

4. Safety warnings

1. To ensure your safety and product properly usage, please read the user manual carefully.
2. To avoid installed the product in minefield, strong magnetic field and high voltage area.
3. To ensure the wiring is correct and firm avoiding short circuit damages to components and cause fire.
4. Please install the product in a well ventilated area to ensure appropriate temperature environment.
5. The product must be worked with DC constant voltage power supply.
Please check the consistence of input power with the product, if the output voltage of the power comply with that of the product.
6. Connect the wire with the power on is forbidden. Ensure proper wiring first then check to ensure no short-circuit, then power on !
7. Don't repair it by yourself whenever an error occur. Contact the supplier for any inquiry.

5. Dimensions



6. Operating instructions



No.	Setting	Note:
1	1	126 channels frequency option Example: set the working frequency in 52. Put the DIP switch "3, 5, and 6" to "1", the rests are "0", now the total value of DIP switch 1-7 is 4+16+32, that is the DMX512 wireless transceiver frequency 52.
2	2	
3	4	
4	8	
5	16	
6	32	
7	64	
8	Set the controller as emitter or receiver (DIP SWITCH "1" as the emitter mode, and "0" as receiver mode)	
9	Choose the transmit power setting: 00 as 5 dBm, 01 as 10 dBm, 10 as 15 dBm, 11 as 20 dBm(Maximum 20dBm)	
10		

7. Conjunction Diagram

