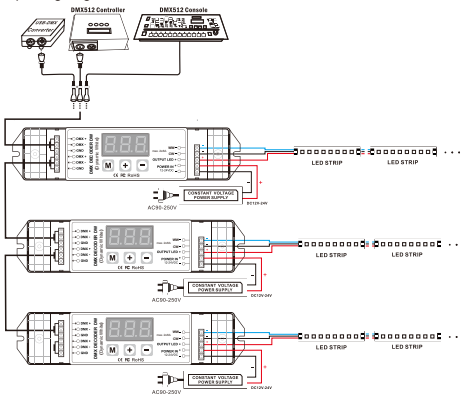


2) Wiring diagram of Slave Mode:



7、Exception Handles

Malfunction	Reasons	Solutions
No light	1. no power supply	1. Check power supply
	2. Reversed polarity	2. Reverse it
	3. Signal terminal not connected or reversed	3. Signal terminal not connected or reversed
	4. Long circuit such as longer than 200m	4. Add signal terminator or amplifier
Wrong color	5.wrong wiring	5. Re-wire
	6. Wrong input of decoder address	6. Re-input
One or several color(s) alight but no change	7. Signal terminator wrongly connected or reversed	7. Check the wiring re-wire it properly
	8. Long circuit such as longer than 200m	8. Add signal terminator or amplifier
Abnormal shake during	9.Signal terminator not be properly connected	9. Connect it properly
	10.Long circuit such as longer than 200m	10. Add DMX signal transmitter or splitter

8、After Sales

From the day you purchase our products within 3 years, if being used properly in accordance with the instruction, and quality problems occur, we provide free repair or replacement services except the following cases:

- 1.Any defects caused by wrong operations.
- 2.Any damages caused by inappropriate power supply or abnormal voltage.
- 3.Any damages caused by unauthorized removal, maintenance, modifying circuit, incorrect connections and replacing chips.
- 4.Any damages due to transportation, breaking, flooded water after the purchase.
- 5.Any damages caused by earthquake, fire, flood, lightning strike etc force majeure of natural disasters.
- 6.Any damages caused by negligence, inappropriate storing at high temperature and humidity environment or near harmful chemicals.

LED DMX & PWM DIMMER-DW(Dynamic White) User Manual



(Please read through this manual carefully before use)

1、Brief Introduction

Welcome to use the DMX512 Constant Voltage Decoder which is developed only for constant voltage LED lamps. It adopted advanced micro-computer control technology to transfer standard DMX512/1990 signal to PWM signal. user can choose 1~2 output channels,max 8A output each channel, 4096 Grey Scales. It can be used as DMX512 master or as DMX decoder to connect computerized digital output consol with analog silicon case and controls LED silicon case and controls LED lamps of architecture and lighting.

2、Specifications

Model	LED DMX & PWM DIMMER-DW
Input voltage	DC12V-DC24V
Max load current	8A/CH*2
Max Output Power	192W(12V)/384W(24V)
Grey Scale	4096 levels*2
Input Signal	DMX512/1990
Output Signal	Constant Voltage PWM*2
Decode Channel	2CH
DMX512 socket	Terminal Block
Dimension	L176*W46*H30(mm)
Weight (G.W)	170g

3、Basic Features

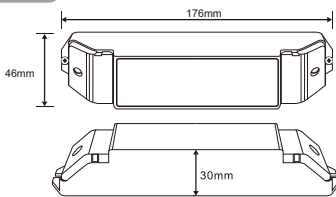
1. Automatically adapt input voltage DC12V-24V.
2. Input standard DMX512 signal; 3-digital-display shows DMX address code.
3. 2 channels output; 4096 grey scales each; logarithmic dimming; lamplight soft & stable without strobe flash.
4. DMX master mode, save mode available.
5. 4 color changing modes and 10 speed scales in master mode .
6. Indicator of the DMX512 signal receiving status.
7. Wrong wiring protection at DMX port. Over current protection and short circuit protection.
8. Power loss memory function.

4、Safety warnings

1. To ensure your safety and product properly usage, please read the user manual carefully.
2. To avoid installed the product in minefield, strong magnetic field and high voltage area.

3. To ensure the wiring is correct and firm avoiding short circuit damages to components and cause fire.
4. Please install the product in a well ventilated area to ensure appropriate temperature environment.
5. The product must be worked with DC constant voltage power supply.
Please check the consistence of input power with the product, if the output voltage of the power comply with that of the product.
6. Connect the wire with the power on is forbidden. Ensure proper wiring first then check to ensure no short-circuit, then power on !
7. Don't repair it by yourself whenever an error occur. Contact the supplier for any inquiry.

5. Dimensions



6.Operating instructions

Three touch buttons: M,+,-

M	change order in the 3 display tube
+	increase
-	decrease

Three-digital-display indicates the current setting value; different value indicates different operating status. Three-digital-display goes off without operation for 1 minutes, press any key to turn it on. When it is overload or short-circuits, the decoder will automatically stop output, LED display shows: "ERR", as below:



The decoder has an automatic key lock. If no settings are made to the decoder, the key lock function is activated after approximately 15 seconds automatically. Pressing M button for about 2 seconds to deactivated. Subsequently, the decoder can be set.

1. DMX Slave Mode: The value is: 001-512, such as: "001"



The decimal point of last digital of the display tube will twinkle regularly when receives DMX512 signal normally. When no signal is received, the decimal point does not twinkle, and showing current DMX address.

DMX master mode preset patterns list :

000	All channels 100% brightness	600-699	1st channel dimming from 0%-99%
1-512	2CH DMX Decoder	700-799	2nd channel dimming from 0%-99%
520	Fading from cold color to warm color		
530	Cold color Fading		
540	Warm color Fading		
550	2CH Fading		
others	All channels 100% brightness		

*520-559. First two digital indicate the modes, the third one shows the speed. 10 speed levels ,from 0-9 speed decreasing. Total: 8 modes ,such as :



Mode Speed level 4

Speed for Program 520 – 559 (Fading Mode) for one step and not for the whole program:
0=0,5 sec. | 1=1 sec. | 2=2 sec. | 3=3 sec. | 4=5 sec. | 5=10 sec. | 6=15 sec. | 7=30 sec. | 8=60 sec. | 9=120 sec.

2. Wiring Indication

1) Wiring diagram of Master Mode: (Only one decoder is allowed to work as a master)

