

Constant Voltage RGB Controller User Manual



(Please read through this manual carefully before use)

1. Brief Introduction

Multifunctional LED RGB controller is an upgraded DIY LED controller, it added customize programming function, you can program your favorite color change modes within a few seconds. it can control color changes of LED lights with 4-pin 3-channels (Common anode). It has 12 kinds of built-in modes, 6 kinds of customize modes, which can be change to any of the color skipping, color smooth and color flicker, makes your LED light changes more rich and colorful.

2. Specifications

Mode	8A
Input voltage	DC5V-DC36V
Max load current	8A/CH×3
Max load power	120W(5V)290W(12V)580W(24V)865W(36V)
Changing mode	12 built-in modes, 6 customize modes
Scale level	4096 steps per RGB
Static dimming	mixing up 4096 colors
Remote Control Distance	10m without obstacle
Dimension	L142×W73×H30(mm)
Weight (G.W)	415g
Control type	Common Anode

3. Basic Features

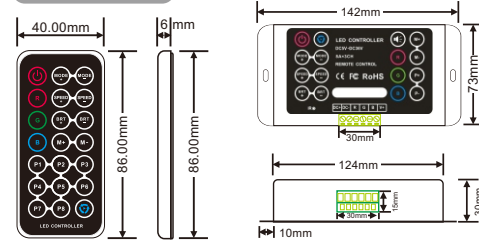
- Automatic switch from DC5V-DC36V;
- With 21 Buttons IR Wireless remote control, reliable control distance can reach as far as 10m;
- 12 built-in changing modes, 6 DIY modes, and each mode can be change to any of the color skipping, color smooth and color flicker, 54 changing modes in all.
- 0-100% dimming and 16 levels of static brightness per RGB can mix 4096 colors; 16 speed levels in each mode.

- 3-Channel RGB full color control, maximum outputs 8A per Channel.
- 4096 Grey scales per RGB, color-smooth effect is gentle and accurate.
- Power loss memory function. Over current protection, short circuit protection.
- Equipped with infrared receiver, more convenient to receive the infrared signal.

4. Safety warnings

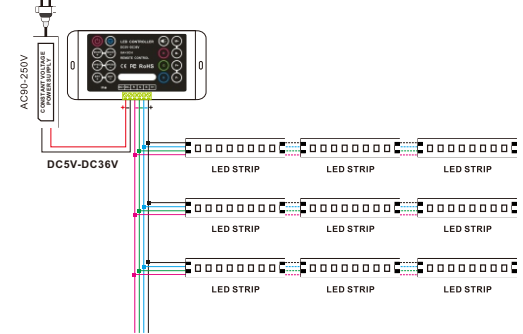
- Please don't install this controller in lightning, intense magnetic and high-voltage fields.
- To reduce the risk of component damage and fire caused by short circuit, make sure correct connection
 - Always be sure to mount this unit in an area that will allow proper ventilation to ensure a fitting temperature.
 - Check if the voltage and power adapter suit the controller (please select DC5-36V power supply with constant voltage)
 - Don't connect cables with power on; make sure a correct connection and no short circuit checked with instrument before power on.
 - Please don't open controller cover and operate if problems occur.
- The manual is only suitable for this model; any update is subject to change without prior notice.

5. Dimensions

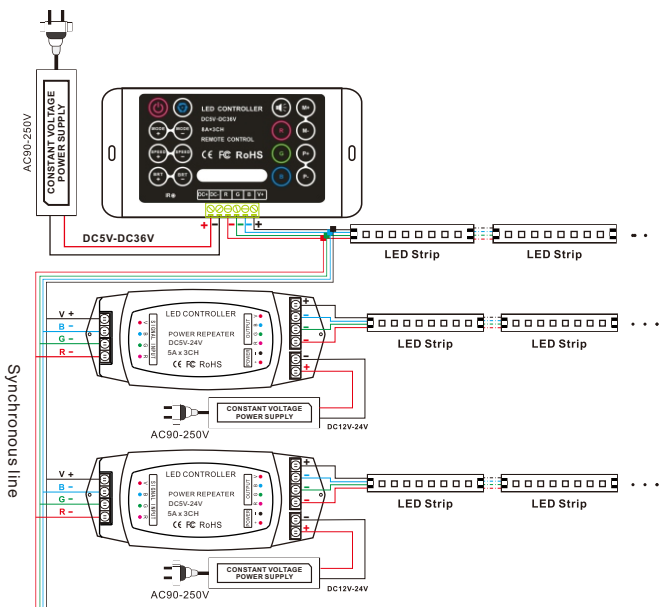


6. Conjunction Diagram

1) Controller with LED Strips

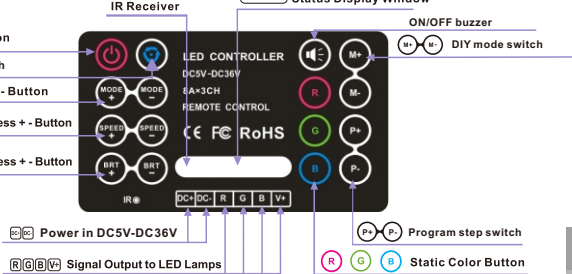


2) Connect to power repeater (the controller and the repeater can share the same power supply)

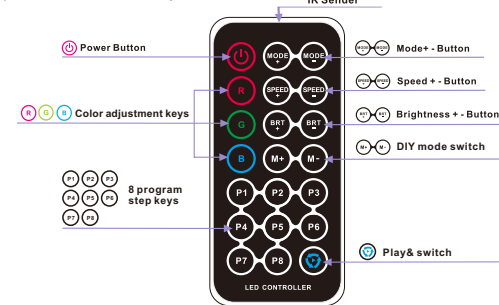


7. Operating Instructions

1) Instructions of the keys on the controller:



2) Instructions of the keys on the remote:



3) Detailed key functions

Sign	Button	Description
	ON/OFF	Turn on/off the controller Any button can start the controller at off status.
	Play & switch	Play & switch: play and switch the changing modes in skipping, fading and flicker
	Mode + -	Switch in the 12 built-in modes, and change each of the changing modes of the built-in sequence by pressing ; long press MODE+ or MODE- to enter the built-in modes circulation with a long beep.
	Speed + -	Changing the speed, 16 speed level, no circulation; in circulation mode, when play the DIY sequence, the speed unchangeable.
	Brightness + -	Changing the brightness, 16 brightness level, no circulation; in circulation mode, when play the DIY sequence, the brightness unchangeable.
	ON/OFF buzzer	To ON/OFF the buzzer
	Color adjustment keys	Only active in program mode, press R,G,B to adjust the brightness of each color(each color 16 brightness level) in circulation, also can use BRT+/BRT- to adjust the brightness of current color.
	DIY mode switch	Switch in 6 DIY sequence, and change the changing mode of each sequence by pressing the key.
	Program step switch	Only active in program mode, switch the 8 steps in the 6 DIY modes, to make individual program, to modify or adjust the color in each step by pressing R,G,B keys; press to play
	8 program step keys	In 6 DIY modes, the 8 steps of each DIY mode can be programmed individually, and to modify or adjust the color in each step by pressing R,G,B keys; press to play, Long press to delete the current steps.

Tables of changing modes

No.	Color	Color skipping	Color fading	Color flicker
1	Red	Static Red	Red fading	Red flicker
2	Green	Static Green	Green fading	Green flicker
3	Blue	Static Blue	Blue fading	Blue flicker
4	Yellow	Static Yellow	Yellow fading	Yellow flicker
5	Purple	Static Purple	Purple fading	Purple flicker
6	Cyan	Static Cyan	Cyan fading	Cyan flicker
7	White	Static White	White fading	White flicker
8	Red green	RG skipping	RG fading	RG flicker
9	Red blue	RB skipping	RB fading	RB flicker
10	Green blue	GB skipping	GB fading	GB flicker
11	RGB	RGB skipping	RGB fading	RGB flicker
12	RGBYPCW	Color skipping	Color fading	Color flicker

7. After Sales

From the day you purchase our products within 3 years, if being used properly in accordance with the instruction, and quality problems occur, we provide free repair or replacement services except the following cases:

- Any defects caused by wrong operations.
- Any damages caused by inappropriate power supply or abnormal voltage.
- Any damages caused by unauthorized removal, maintenance, modifying circuit, incorrect connections and replacing chips.
- Any damages due to transportation, breaking, flooded water after the purchase.
- Any damages caused by earthquake, fire, flood, lightning strike etc force majeure of natural disasters.
- Any damages caused by negligence, inappropriate storing at high temperature and humidity environment or near harmful chemicals.

8. Kindly Reminder

Power Source Selection:
Power source must be DC constant voltage type of power supply. Due to the efficient output in some power supplies are only 80% of total, so please select at least 20% higher output power supply than the consumption of LED lights.