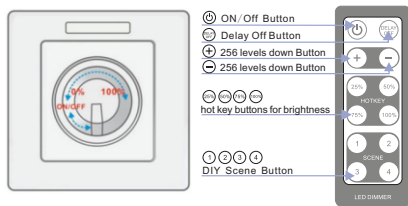


7. Operating instructions

1. About the button:



The knob of the dimmer

The definition of the button

2. The detailed definition of the button

Sign	Button	Description
	ON/OFF	on/off key: start or turn off the LED lamp At the off statue, press any key to start the LED lamp
	DELAY OFF	Delay off button: Press this button, LED light will delay 30seconds to be off by itself, Press this key again to cancel delay off
	BRT+ BRT-	Mode+ key / -key: Press these two buttons to increase or decrease LED brightness, total 4096 levels of brightness, long press to change brightness continuously.
	HOTKEY	Brightness keyboard shortcuts: Can select different brightness you want directly and immediately by Pressing these 4 shortcuts.
	SCENE	DIY mode button: total four keys, press any key over 3 seconds until the indicator flicks, it means the current brightness was recorded to this button, later you can enter this mode by just once pressing.

8. Exception Handles

Malfunction	Causation	Solution
No Light	1.No power from the socket 2.Reverse connection of power +/- 3. Wrong or loose connection	1.Check the socket 2.Modify the connection 3.Check connection
Brightness of the LED is not even	1.Output wire too long, voltage drops 2. Wire diameter too slim, voltage drops. 3. Power supplier overloads 4.Controller overload	1. Reduce cable or use loop connection. 2.calculate the current and change to a wider wire 3.Change to another large power supplier 4. Add a power repeater
Cannot Remote	1. Remote battery is low. 2. Over remote distance	1. Replace a new battery 2. Reduce remote distance

Constant Current LED Dimmer User Manual



(Please read through this manual carefully before use)

1. Brief Introduction

An intelligent dimmer dedicated to adjust the brightness of LED light, adopted the most advanced PWM (Pulse-Width Modulation) digital brightness-adjusting technology at present, users can either turn around the knob manually or use the IR wireless remote control panel to control the brightness infinitely; Suitable for installation of commercial and household 86-style socket; can install the socket visibly outside the wall or inside the wall invisibly; it is suitable for dimming hi-power 1W/3W LED lamps and it's energy-saving.

2. Specifications

Mdoel	Constant current 350mA	Constant current 700mA
Input voltage	DC12V-DC48V	DC12V-DC48V
Max load current	350MA	700MA
Driving LEDs	12V: 1-3pcs 1W LED 24V: 1-6pcs 1W LED 36V: 1-9pcs 1W LED 48V: 1-12pcs 1W LED	12V: 1-3pcs 3W LED 24V: 1-6pcs 3W LED 36V: 1-9pcs 3W LED 48V: 1-12pcs 3W LED
Output signal	Constant current PWM	Constant current PWM
Dimming range	0-100%	0-100%
Scale levels	4096 levels	4096 levels
Switch Dimension	L87×W87 (mm)	L87×W87 (mm)
Weight (G.W)	170g	170g

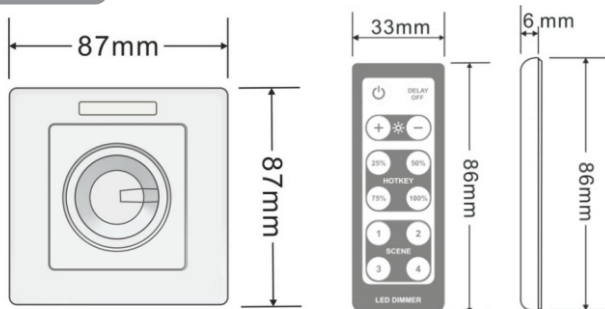
3. Basic Features

1. Standard 86-style socket, easy to install.
2. Infinite knob style dimming and wireless IR remote dimming, easy to operate.
3. Real 0~100% brightness adjust, 4096 scale levels. Comfort to human eye visual characteristic. Lamplight soft and stable, without flickers, welcome to compare.
4. Delay OFF button, fluorescent indicator, users friendly.
5. 25% · 50% · 75% · 100%, 4 brightness shortcuts.
6. Automatically adapt to DC12V-48V working voltage.
7. Can be equipped with power repeater to expand power.

4. Safety warnings

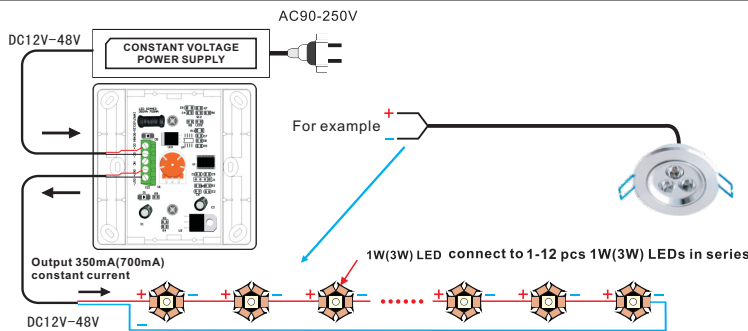
- Please don't install this controller in lightning, intense magnetic and high-voltage fields.
1. To reduce the risk of component damage and fire caused by short circuit, make sure correct connection.
 2. Always be sure to mount this unit in an area that will allow proper ventilation to ensure a fitting temperature.
 3. Check if the voltage and power adapter suit the controller. (please select DC12-48V power supply with constant voltage)
 4. Don't connect cables with power on; make sure a correct connection and no short circuit checked with instrument before power on.
 5. Please don't open controller cover and operate if problems occur.
- The manual is only suitable for this model; any update is subject to change without prior notice.

5. Dimensions



6. Conjunction Diagram

1) Connected to 1W /3W (350mA/700mA) LED as an example



2) When you want to use one dimmer to run many hi-power LED lamps, you can add our constant current power repeater, and the quantity is unlimitedly;

