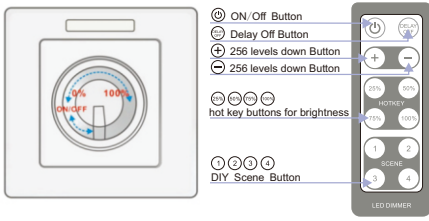


3. About the buttons



The knob of the dimmer

The definition of the button

Sign	Button	Description
	<b>ON/OFF</b>	on/off the LED lamp Any button can start the LED lamp at off status.
	<b>DELAY OFF</b>	Press this key, it will wait 30 seconds before turning of the light automatically. Press this key again once delay off
	<b>BRT+ BRT-</b>	These two buttons can increase or decrease the brightness, total 256 levels of brightness, continually pressing it, you can continually change the brightness.
	<b>HOTKEY</b>	Press these four keys can select different brightness you want directly & immediately.
	<b>SCENE</b>	Total 4 keys, continually press it for 3 seconds, the dimmer's indicated light flick several times, meaning the current brightness was automatically saved, you can enter this mode by just press it once.

7. After-Sales

From the day you purchase our products within 3 years, if being used properly in accordance with the instruction, and quality problems occur, we provide free repair or replacement services except the following cases:

1. Any defects caused by wrong operations.
2. Any damages caused by inappropriate power supply or abnormal voltage.
3. Any damages caused by unauthorized removal, maintenance, modifying circuit, incorrect connections and replacing chips.
4. Any damages due to transportation, breaking, flooded water after the purchase.
5. Any damages caused by earthquake, fire, flood, lightning strike etc. force majeure of natural disasters.
6. Any damages caused by negligence, inappropriate storing at high temperature and humidity environment or near harmful chemicals.

Signal Dimmer  
User Manual



(Please read through this manual carefully before use)

1. Brief Introduction

Welcome to use signal dimmer, this dimmer is AC 85-265V input, and output AC 85-265V and analog dimming signal. User can adjust the analog signal either by infinite switch knob or by IR remote. Easy to install, it's suitable for commercial or household standard 86 style socket base.

2. Specifications

Model	0-10V	PWM 5V	PWM 10V
Input voltage	AC85-265V	AC85-265V	AC85-265V
Output voltage	AC85-265V	AC85-265V	AC85-265V
Max output current	10A	10A	10A
Output signal	0-10V analog signal	PWM 5V signal	PWM 10V signal
Remote distance	10M	10M	10M
Size	L87×W87(mm)	L87×W87(mm)	L87×W87(mm)
Weight	200g	200g	200g

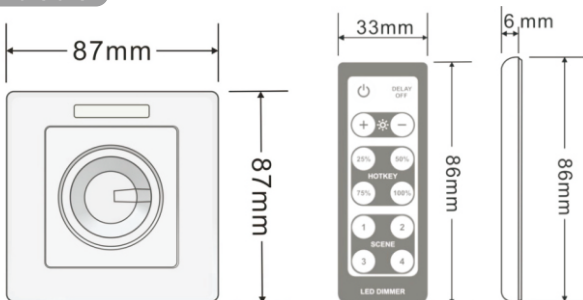
3. Basic Features

1. AC85-265V input.
2. AC input, built-in isolated power protection.
3. Can dim signal either by infinite switch knob or by IR remote.
4. The lowest dimming signal is selectable as 0% or 10% by changing the switch position.
5. Standard 86 style socket base, easy to install.
6. Delay OFF button, fluorescent indicator, users friendly.
7. 25%, 50%, 75%, 100%, 4 brightness shortcuts and DIY modes for fast dimming.

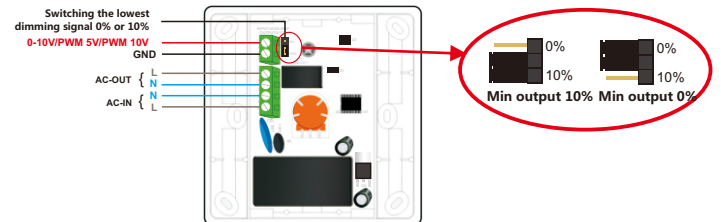
4. Safety warnings

1. In order to use it properly and safety, please read user's manual carefully before installation.
  2. Please don't install this controller in lightning, intense magnetic and high-voltage fields.
  3. To reduce the risk of component damage and fire caused by short circuit, make sure correct connection
  4. Always be sure to mount this unit in an area that will allow proper ventilation to ensure a fitting temperature.
  5. Don't connect cables with power on; make sure a correct connection and no short circuit checked with instrument before power on.
  6. Please don't open controller cover and operate if problems occur.
- The manual is only suitable for this model; any update is subject to change without prior notice.

5. Dimensions

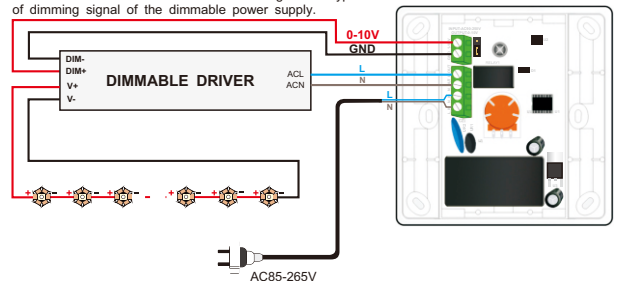


6. Conjunction Diagram



1. Diagram of signal dimmer and dimmable driver:

Please select the suitable dimmer according to the type of dimming signal of the dimmable power supply.



2. Diagram of 0-10V signal dimmer and 0-10V dimming driver:

