

The remote control ID learning guide: Press ON/OFF button on the controller, and press any of the button on the remote, when the light flash, the ID is set.

Sign	Button	Description
	ON/OFF	Turn on/off the controller. Any button can start the controller at off status
	DELAY OFF	Press this key, it will wait 30 seconds before turning off the light automatically, long press this key to turn on/off the buzzer.
	WHITE	Press this button to dim to white(cold) color temperature.
	WARM	Press this button to dim to warm color temperature.
	BRT+	Press this button to increase the brightness of the lamp, pressing still to increase brightness continually.
	BRT-	Press this button to decrease the brightness of the lamp, pressing still to decrease brightness continually.
	SCENE1~2	2 DIY scene buttons. Press 2 second to memorize present settings. Press once to replay.

8. Exception Handles

Malfunction	Causation	Solution
No Light	1. No power from the socket 2. Reverse connection of power +/- 3. Wrong or loose connection	1. Check the socket 2. Modify the connection 3. Check connection
Brightness of the LED is not even	1. Output wire too long, voltage drops 2. Wire diameter too slim, voltage drops. 3. Power supplier overloads 4. Controller overload	1. Reduce cable or use loop connection. 2. Calculate the current and change to a wider wire 3. Change to another large power supplier 4. Add a power repeater
Cannot Remote	1. Remote battery is low. 2. Over remote distance	1. Replace a new battery 2. Reduce remote distance

9. After-Sales

From the day you purchase our products within 3 years, if being used properly in accordance with the instruction, and quality problems occur, we provide free repair or replacement services except the following cases:

1. Any defects caused by wrong operations.
2. Any damages caused by inappropriate power supply or abnormal voltage.
3. Any damages caused by unauthorized removal, maintenance, modifying circuit, incorrect connections and replacing chips.
4. Any damages due to transportation, breaking, flooded water after the purchase.
5. Any damages caused by earthquake, fire, flood, lightning strike etc force majeure of natural disasters.
6. Any damages caused by negligence, inappropriate storing at high temperature and humidity environment or near harmful chemicals.
7. Product has been updated.

Color-Temperature Controller User Manual



(Please read through this manual carefully before use)

1. Brief Introduction

This series LED color-temperature controller is a universal high-performance color-temperature controller, which adopted the most advanced PWM (Pulse-Width Modulation) digital brightness-adjusting. Changing the color temperature by adjusting two different light colors, it suits for all 2 channel LED lights.

2. Specifications

Model	No RF remote	With RF remote
Input Voltage	DC5V-DC24V	DC12V-DC24V
Max Current Load	8A/CH*2	8A/CH*2
Max Output Power	80W(5V)/192W(12V)/384W(24V)	192W(12V)/384W(24V)
Scale Levels	4096 LEVEL /CH*2	4096 LEVEL /CH*2
Product Dimension	L165xW56xH36 (mm)	L165xW56xH36 (mm)
Package Dimension	L170xW49xH49(mm)	L170xW49xH49(mm)
Weight (G.W)	170g	200g
Remote Control Distance	No	30m with block; 60m without block

3. Basic Features

1. Automatically adapt to LED light which works from DC5V-24V or DC12V-24V.
2. Real 0~100% brightness adjust, 4096 scale levels. Lamplight soft and stable, without flicker, precisely control color temperatures
3. Max 8A*2CH output. Working with power repeater to expand power output unlimitedly.
4. 2 DIY modes, easy to replay your favorite settings
5. Soft touch button with friendly experience.
6. Power loss memory function.

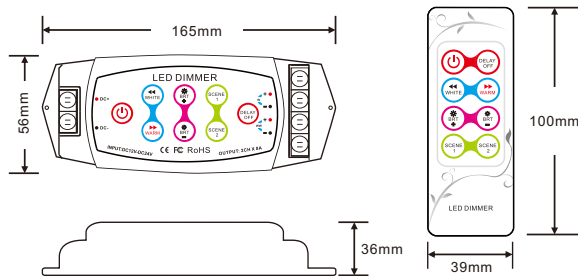
4. Safety warnings

Please don't install this controller in lightning, intense magnetic and high-voltage fields.

1. To reduce the risk of component damage and fire caused by short circuit, make sure correct connection
2. Always be sure to mount this unit in an area that will allow proper ventilation to ensure a fitting temperature.
3. Check if the voltage and power adapter suit the controller (please select DC12-24V power supply with constant voltage)
4. Don't connect cables with power on; make sure a correct connection and no short circuit checked with instrument before power on.
5. Please don't open controller cover and operate if problems occur.

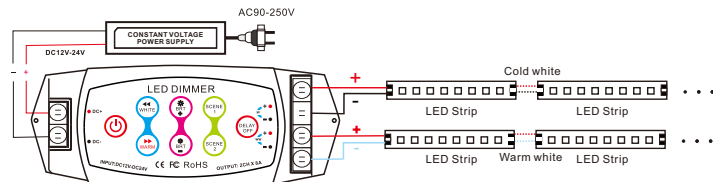
The manual is only suitable for this model; any update is subject to change without prior notice.

5. Dimensions



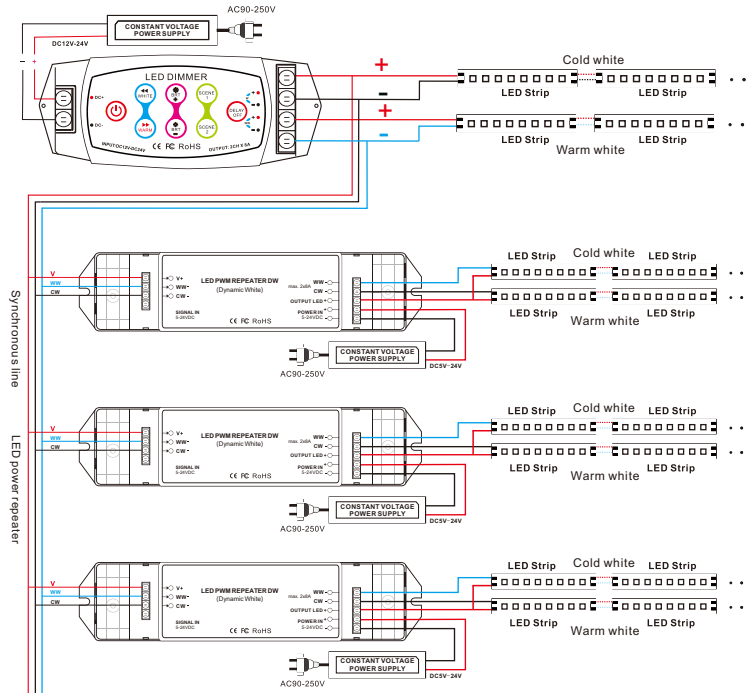
6. Conjunction Diagram

1. Connected to LED strip as an example



Note: Only connects with two different color temperature lights, can adjust the color temperature.

2. It can connect with LED power repeater to extend power.



7. Operating instructions

1. on the controller, there are 8 function keys same as on the remote: ON/OFF、DELAY OFF、WHITE、WARM、BRT+、BRT-、SCENE1-2

